



SUNDOWNER TRAILERS

HORSE · LIVESTOCK | LIVING QUARTERS | CARGO | OPEN UTILITY · CAR/TOY HAULER | ENCLOSED HAULER



CROFT TRAILER SUPPLY | CROFTTRAILER.COM | (800) 426-8159





All Things Are Possible

WITH SUNDOWNER TRAILERS



Since 1976, Sundowner has been pioneering innovation in aluminum trailers — with and without living quarters. They have applied their decades of experience to create transport trailers for both recreational and commercial use. Sundowner's horse and livestock trailers, cargo trailers, utility trailers, and toy haulers all reflect this commitment to innovation, truly making Sundowner "America's Trailer".

All backed with Sundowner's **8-year structural, 3-year hitch to bumper** warranty covering your entire trailer, including the living quarters.



GET *MORE* WITH **CROFT**



MAINTAIN & REPAIR

With trailers, parts, & service, the towing pros at our four full service locations have the know how to get you back on the road safely. Croft offers a complete line of services to fit your hauling needs with hitch installations, wiring, modifications, DOT inspections, and more. Visit one of our four locations below.

970 N Rogers Rd
Olathe, Kansas
(913) 780-1818

2401 S 291 Hwy
Lee's Summit, MO
(816) 525-9355

4933 Truman Rd
Kansas City, MO
(816) 483-7274

632 S Hwy 169
Smithville, MO
(816) 532-8900

CroftTrailer.com | (800) 426-8159 | Fax (816) 861-1881



CONTENT



3 LIVING
QUARTERS

6 PRO-GRADE
TRAILERS



8 HORSE
& LIVESTOCK

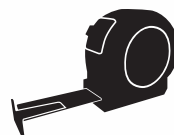
20 CARGO
& ENCLOSED



23 OPEN UTILITY
& CAR HAULER



31 ENCLOSED
TOY HAULERS



35 CUSTOM
FEATURES



3 *year*
HITCH TO BUMPER

year
STRUCTURAL WARRANTY

ON ALL SUNDOWNER TRAILERS

8

The Sundowner trailer warranty includes 3-year, from the date of purchase, hitch-to-bumper coverage on all Sundowner horse, stock, cargo, sport utility, and Living Quarters units with the exception of tires, brakes, and accessory batteries. The new warranty also includes all items in Living Quarters units, including those that are covered for less than three years by the original manufacturer, and is fully transferable.

Sundowner trailers are also covered by an 8-year structural warranty, which is the longest in the industry. This warranty covers frame & shell structure of all trailers against failure during normal use due to manufacturing defect.

Because Sundowner produces the best trailers in the industry, we feel we can easily offer the best warranty. Because we believe in our product so much, the entire Sundowner team is committed to not only building the best trailer, but also providing the finest customer service.

BUMPER *to* **HITCH**



LIVING QUARTERS

Whether you trail ride, rodeo, show livestock, ride motorcycles, drive all-terrain vehicles, show or race cars, Sundowner makes your living quarters a home away from home that greets you with comfort when returning from a long day.



CREATE THE
PERFECT
HOME AWAY
FROM HOME,
BIG OR SMALL



SANTA FE



HORIZON



SPECIAL EDITION





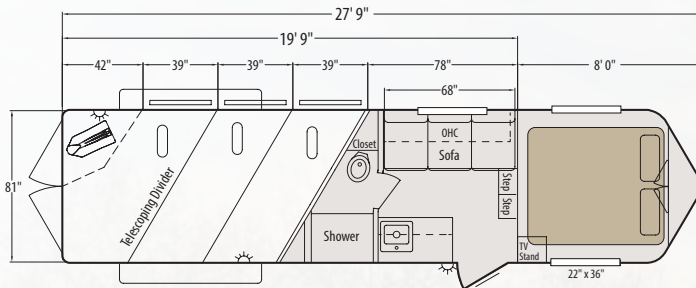
(Left) This picture does not reflect a standard Santa Fe trailer. Go to page 35 to see custom features that can be added to make your trailer best work for you.

SANTA FE

Gooseneck

LIVING QUARTERS | 2019

Available in 2 to 10 horse models, the Santa Fe offers a bathroom with a shower and toilet, small kitchen, boot box or sofa, and air conditioner. Most floorplans are also available in 7' 6" and 8' widths.



SANTA FE MODELS

6905 | 6906 | 7608 | 8009

TRAILER STANDARD FEATURES

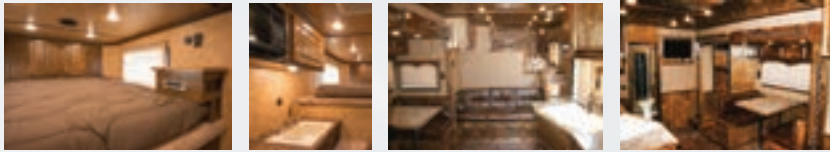
- 2 5/16" Gooseneck hitch, adjustable
- 2 - 10 Horse slant load
- 6' 9", 7' 6", or 8' Wide
- 7' Tall
- 39" Wide stalls
- All aluminum construction & floors
- Choice of skin color top half
- Extruded aluminum sides lower half
- Rubber torsion axles
- 4 Wheel electric brakes with safety breakaway
- Full width rear rubber bumper
- LED clearance and 4 tail lights
- Spare tire and wheel
- Air flow dividers with pads
- Floor mats in horse area
- Drop down feed window with face grill per stall
- (2) Air gaps with plexiglass on rump side
- SunCoated™ kick panels rump wall
- Double rear doors with plexiglass
- Pop-up vent per horse stall
- Dome light in horse area
- (1) Outside and (2) inside tie rings per stall
- Collapsible rear tack with saddle rack, tack hooks, and light
- 13,500 BTU A/C with heat strip
- Wallboard walls and ceiling
- Wood window frames
- Raised panel cabinet doors
- Overhead cabinets above kitchen
- 3 cu. ft. Gas/electric refrigerator
- Microwave
- Formica counter tops
- Single bowl kitchen sink
- Crank up TV antenna
- AM/FM radio, CD player with interior speakers
- Day/night shades
- Choice of vinyl flooring with carpeted bedroom
- Mattress and quilt
- TV Stand
- (2) Night stands on 8' only
- USB charging ports
- Wardrobe and linen closet
- Recessed LED lights
- Retractable shower door
- Towel rack, ring, and paper holder
- Toilet and shower
- Power roof vent in bathroom
- Metal grab handle
- Fresh water tank and city water hook up
- 12 volt Demand water pump
- 31 gallon Black water tank
- 31 gallon Gray water tank
- Sewer dump hose and storage compartment
- (2) 20 lb Propane tanks with automatic change over valve
- 6 gallon LP electric gas water heater, automatic recovery
- Water drains and water heater bypass for easy winterizing
- Heavy duty 60 amp 12 volt power converter, battery charger
- 12 volt Charge line to truck
- 12 volt Battery disconnect switch
- (1) Deep cycle battery
- 30 amp Marine style 30' power cord lifeline with 15 amp adapter
- 120 volt Kitchen and bathroom receptacles, GFI protected
- All wiring checked & rechecked at 1080 volts
- LP gas leak detector
- Emergency exit windows
- Smoke alarm and fire extinguisher
- Tempered safety glass with positive locks and screens
- Full fiberglass R7 insulation in floors, sidewalls, and ceiling



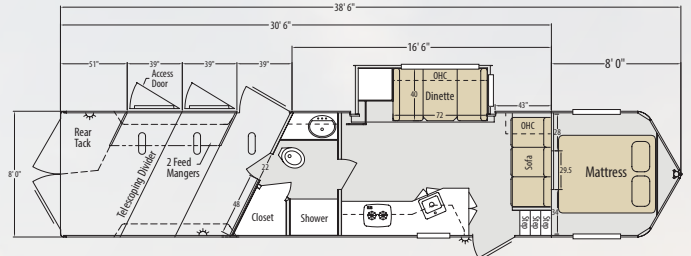
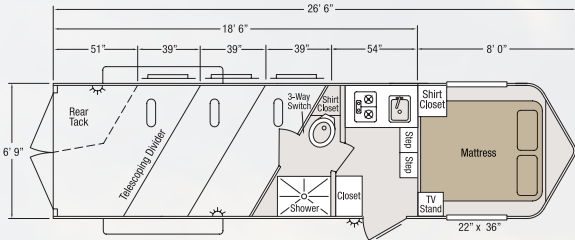
HORIZON *Gooseneck*

LIVING QUARTERS | 2019

The Horizon Living Quarters trailer is perfect for camping trips. Available with up to 10 horse stalls, the Horizon is available in floorplans big and small. Their smallest living quarters model, 6904, comes standard with an air conditioner, microwave, cook top, and full bathroom with shower and toilet. Designed with maneuverability and lighter weight for smaller trucks and tighter spots, less time is spent parking and more time riding. Most floorplans are also available in 7' 6" and 8' widths.



| HORIZON MODELS | | |
|----------------|------|-------------|
| 6904 | 6910 | 8016G SLIDE |
| 6906 | 8010 | 8017G SLIDE |
| 6908 | 8011 | |



SPECIAL EDITION MODELS

| | | |
|---------------------|------------------------------|---------------------------|
| SPECIAL EDITION 8' | SPECIAL EDITION 12' SLIDE | SPECIAL EDITION 16' SLIDE |
| SPECIAL EDITION 10' | SPECIAL EDITION 12' J-LOUNGE | |
| SPECIAL EDITION 11' | SPECIAL EDITION 13' J-LOUNGE | |
| SPECIAL EDITION 12' | SPECIAL EDITION 14' | |
| | SPECIAL EDITION 14' SLIDE | |

SPECIAL EDITION *Gooseneck*

LIVING QUARTERS | 2019

Find more layouts and information online at CroftTrailer.com. Get a quote for your dream trailer today.





PRO-GRADE TOY HAULERS



Sundowner Pro-Grade Toy Haulers are designed to transport you and your toys in style and comfort. Whether you want to haul motorcycles, ATVs, snowmobiles, or cars, Sundowner offers endless options to make your trailer uniquely yours. The all aluminum construction means easier towing and longer durability. You've invested a lot of time, effort, and money into your hobby - when it comes to hauling, don't settle for anything but the best.

PRO-GRADE TOY HAULER

PRO GRADE TOY HAULERS | 2019

Bumper Pull

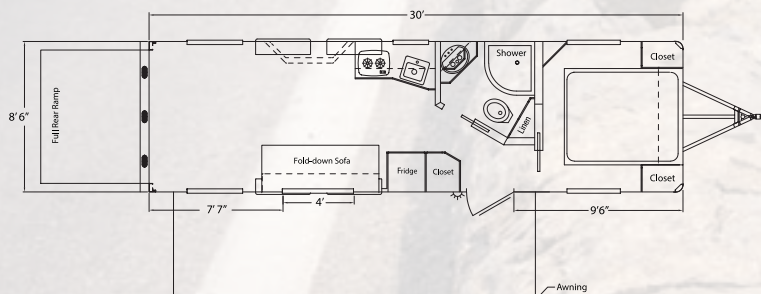
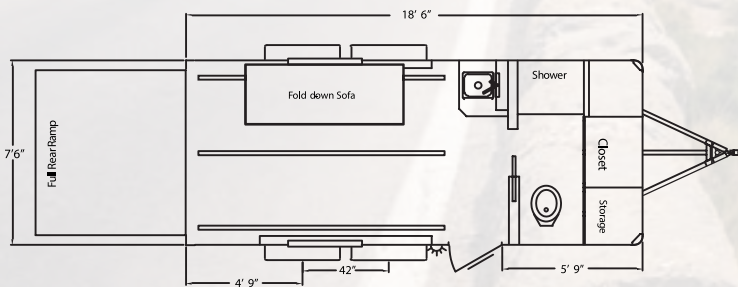


STANDARD FEATURES

- 2 5/16" Bumper pull coupler
- 6'9", 7'6", 8', or 8'6" Trailer width
- 7' - 9' Inside height
- All aluminum construction
- Floor: 4" I-Beam Crossmembers on 12" centers
- One piece 0.040" aluminum roof
- 2" Aluminum tubing wall uprights
- Full length 24" extruded sides with smooth 0.050" skin above
- Exterior skin colors: white, black, red, champagne, charcoal gray, silver
- Rubber torsion axles
- 4 Wheel electric brakes with safety breakaway
- Aluminum wheels
- Nitrogen filled radial tires
- LED clearance and tail lights

OPTIONS

- External graphics
- Spare tire

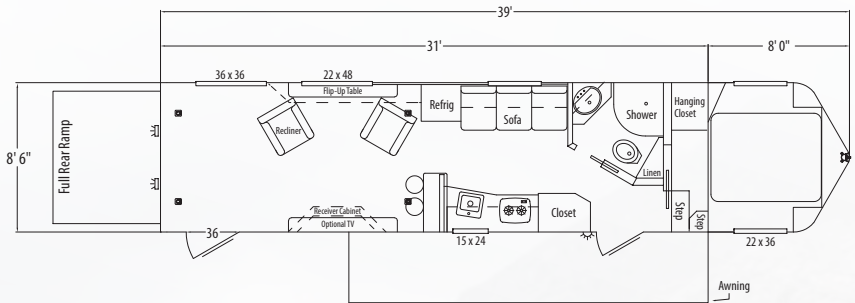




Gooseneck

STANDARD FEATURES

Same as Pro-Grade Toy Hauler Bumper Pull model except for 2 5/16" adjustable gooseneck coupler in place of bumper pull coupler.



KRAWLER HAULER

PRO GRADE TOY HAULERS | 2019

Gooseneck

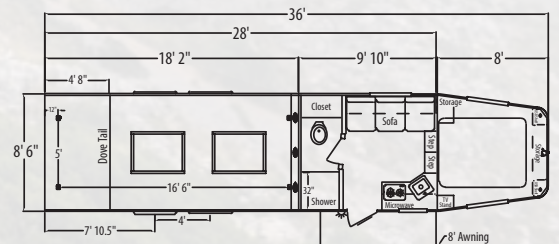


The Sundowner Krawler Hauler takes the adventure off-road. Created with off-road jeep crawling in mind,

the Krawler has a beefed up open deck to show off your ride. Two lockable storage boxes in the rear of the deck provide a safe place to lock up important gear. Living quarters, with or without a slide out room, offers a place to rest. With 4 standard floor plans with customization welcome, Sundowner can make your off-road dreams a reality.

STANDARD FEATURES

- 8' 6" Wide
- 7' 6" Tall
- Tapered nose
- Rubber torsion 7000 lb axles
- 235/80R16 Nitrogen filled tires
- Spread axle
- Dual hydraulic jacks
- 2 5/16" Gooseneck coupler
- All aluminum construction
- .040 One piece aluminum roof
- Aluminum plank floor
- Open deck (includes 56" dovetail)
- Two recessed storage compartment at rear with locking lids
- 8' Pull out ramps
- Rear roof spoiler with (3) LED lights
- (4) 5000 lb Floor ties
- Spare tire and wheel
- (2) LED tail lights
- Clear lens LED marker lights
- Aluminum wheels
- Electric awning



See more floorplans and customizable options online at CroftTrailer.com.



HORSE AND LIVESTOCK

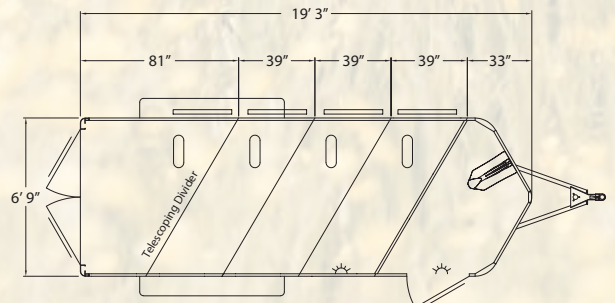
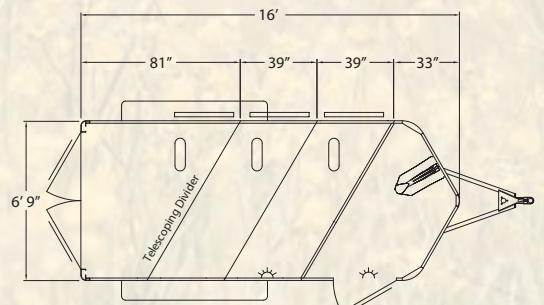
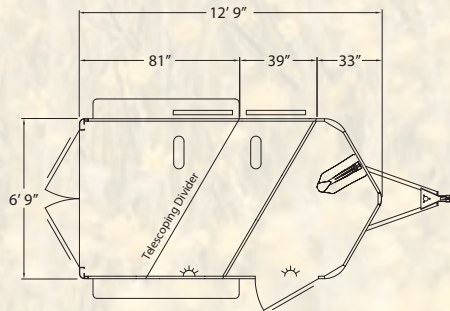


SUPER SPORT Bumper Pull

HORSE · LIVESTOCK | 2019

STANDARD FEATURES

- 7' Tall
- 6' 9" Wide
- 2 5/16" Bumper pull hitch
- Top wind jack
- 2, 3, or 4 Horse stalls
- Slant load
- 39" Wide stalls
- Rubber torsion axles
- Rear rubber bumper
- Pre-painted aluminum skin
- All aluminum construction
- Interlocking extruded aluminum floor
- 2" Upright wall posts welded on both sides
- 4 Wheel electric brakes with safety breakaway
- LED clearance and tail lights



HORSE AREA

- Padded airflow head and shoulder dividers
- Floor mats in horse area
- 48" Suncoated™ horse area
- Drop down feed window with face grill per stall (head side)
- (2) Air gaps with removable plexiglass on rump side
- Pop up horse vent per stall
- Double rear doors with sliding windows
- Dome light in horse area
- (2) Inside and (1) outside tie ring per stall

FRONT TACK STORAGE

- Locking door with sliding window
- Rubber floor mats
- Interior dome light
- (6) Tack hooks
- Saddle rack per stall



Gooseneck

The Super Sport is an all aluminum slant load horse trailer designed for the versatility that many horse enthusiasts are looking for. It has drop down feed windows with face grills on the head side and plexiglass on the rump side and rear gate. The Super Sport also features removable dividers, rubber floor mats, & comes with a saddle rack in the front tack storage room.

STANDARD FEATURES, HORSE AREA, AND FRONT TACK STORAGE

In addition to bumper pull features excluding bumper pull hitch & top wind jack

- 2 5/16" Gooseneck hitch, adjustable
- Drop leg jack

POPULAR OPTIONS

- Extra height
- Extra lighting
- Gravel guard
- Rear ramp
- Rear tack
- Load lights
- Spare tire
- Swing out saddle rack
- Skin colors: white, black, silver, charcoal, and champagne

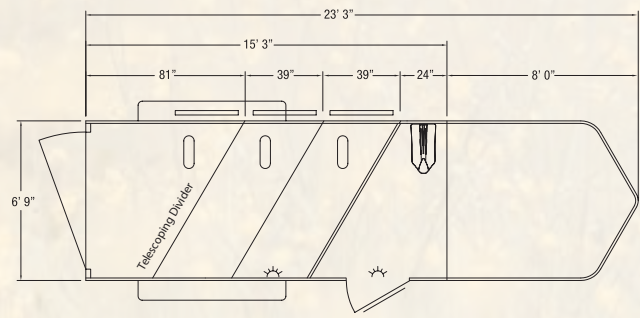
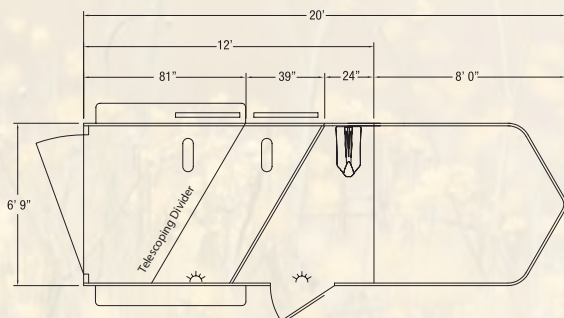
ADDITIONAL POPULAR OPTIONS - GOOSENECK

- SunCoated™ headwall, rear doors, or slant wall
- Available in floorplans for up to 6 horses
- Swing out saddle rack
- Feed bags
- Double rear doors
- Window/s in nose

ORDER YOUR SUNDOWNER THE WAY YOU WANT IT.

Call Croft Trailer Supply for a quote today at (800) 426-8159.

Gooseneck model is available in floorplans for up to 6 horses.

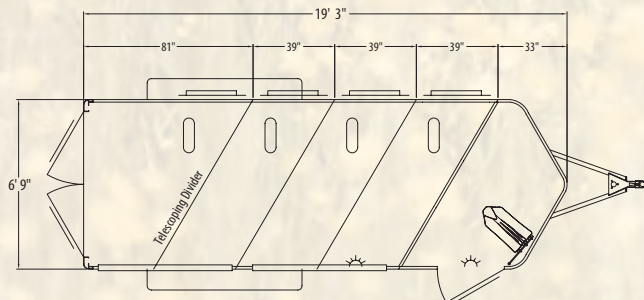
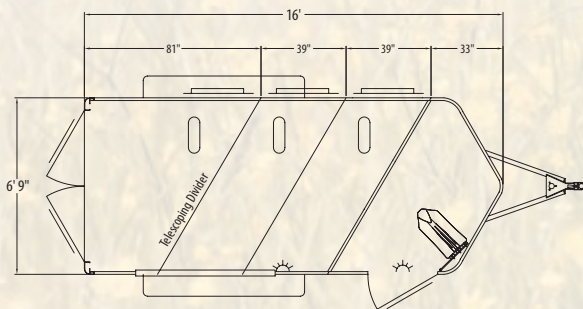
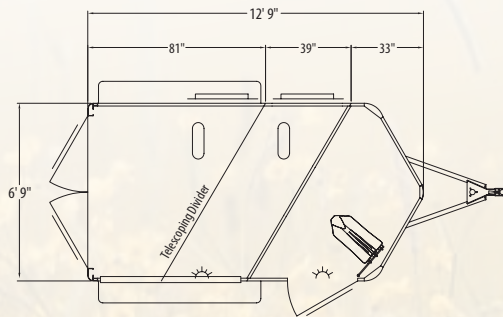




SPORTMAN

HORSE · LIVESTOCK | 2019

Bumper Pull



Sundowner's Sportman is an all aluminum trailer built with today's budget conscious buyers in mind. This slant load bumper pull model is available in 2, 3, or 4 horse stall floorplans. It has drop down feed doors on the head side and is fully enclosed with a huge 18" x 64" window that drops down on the rump side for increased air flow. The tack room features a swing out saddle rack. The lightweight nature of the Sportman makes it perfect for hauling with smaller tow vehicles.



STANDARD FEATURES

- 2 5/16" Bumper pull hitch
- Slant load
- 2, 3, or 4 Horse stall
- 6' 9" Wide
- 7' Tall
- 39" Wide stalls
- All aluminum construction
- All aluminum floors
- Pre-painted aluminum skin
- Rubber torsion axles
- 4 Wheel electric brakes with safety breakaway
- Rear rubber bumper
- LED clearance & tail lights
- Top wind jack
- Graphics package

HORSE AREA

- Padded airflow head and shoulder dividers
- Floor mats
- Drop down head door with sliding window per horse
- Large drop down window with bars on rump wall
- Double rear doors with sliding windows
- SunCoated™ kick panels – side walls, slant wall, and rear doors
- Pop up horse vent per stall
- Dome light in horse area
- (1) Outside and (2) inside tie rings per stall

FRONT TACK STORAGE ROOM

- Locking door with sliding window
- Rubber floor mats
- Dome light
- (6) Tack hooks
- Blanket bar
- Brush tray
- Saddle rack

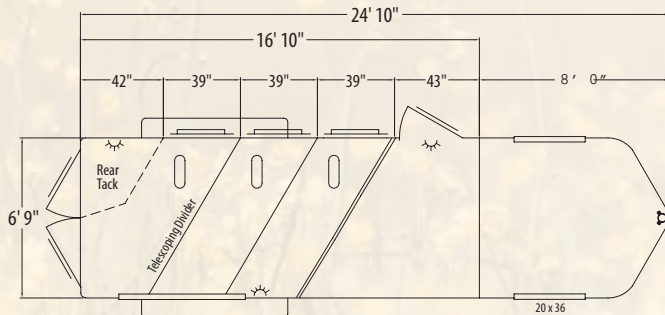
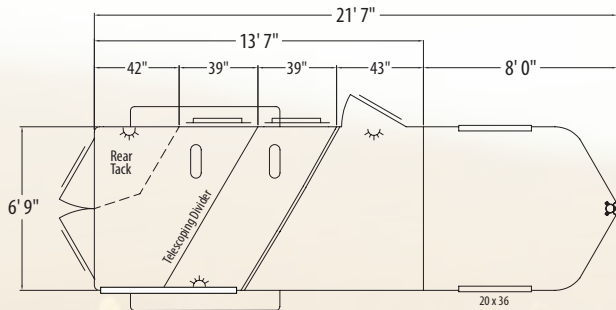


Gooseneck

STANDARD FEATURES

In addition to bumper pull features excluding bumper pull hitch and top wind jack

- 2 5/16" Gooseneck hitch, adjustable
- Drop leg jack
- (2) Sliding windows in nose



FRONT TACK STORAGE ROOM

In addition to bumper pull features

- Carpeted breast plate and gooseneck deck

REAR TACK

- Collapsible
- Swing out saddle rack, saddle per horse
- (4) Tack hooks
- Dome light

POPULAR OPTIONS

- Spare tire
- Load lights
- Additional interior dome light(s)
- Rear ramp
- Face guards
- Treadplate gravel guard
- Extra height
- Rear tack



Some options shown in pictures may be special order. Call Croft at (800) 426-8159 for a quote today.



Need to transport more than just horses? The Stockman Special is a horse/stock combo designed to be versatile for horses, livestock, or both. It is available in 2, 3, or 4 horse stall, slant load floorplans. Standard features include removable horse dividers, rubber floor mats, and a front tack room. The all aluminum construction guarantees a lightweight trailer that is perfect for lighter duty tow vehicles and easier maneuverability.

STOCKMAN SPECIAL

HORSE · LIVESTOCK | 2019

Bumper Pull

STANDARD FEATURES

- 2 5/16" Bumper pull hitch
- 6' 9" Wide
- 7' Tall
- 2, 3, or 4 Horse stall
- Slant load
- 39" Wide stalls
- All aluminum construction
- All aluminum floor
- Double wall extruded aluminum exterior sides
- Pre-painted aluminum skin
- (2) Air gaps with plexiglass tracks
- LED clearance and tail lights
- Rubber torsion axles
- 4 Wheel electric brakes with safety breakaway
- Rear rubber bumper
- Top wind jack

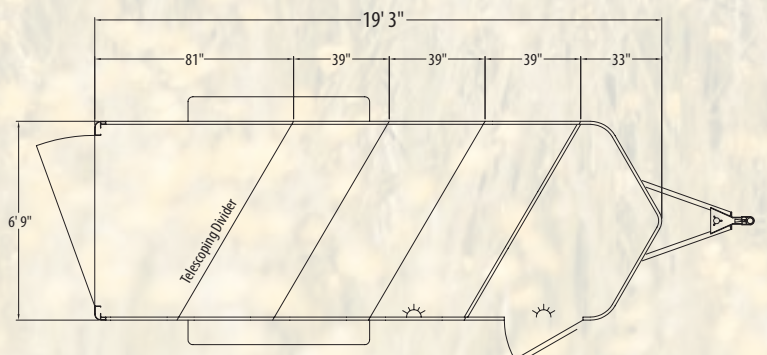
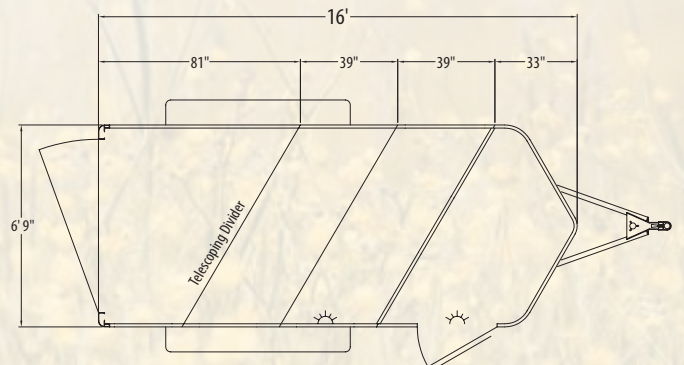
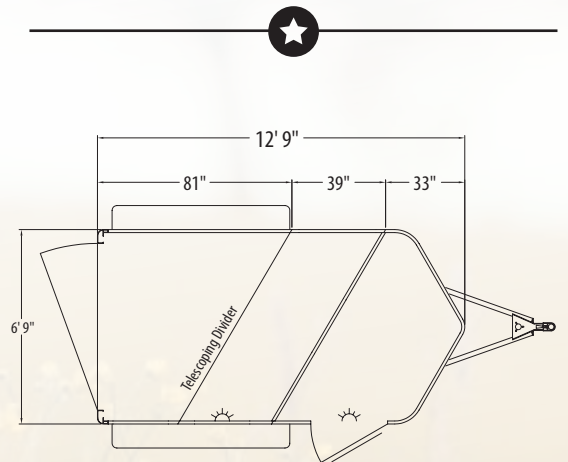


HORSE AREA

- Padded airflow head and shoulder dividers
- Floor mats in horse area
- Full swing rear gate
- (1) Outside and (2) inside tie rings per stall
- (1) Dome light inside horse area

FRONT TACK STORAGE ROOM

- Locking door with sliding window
- Rubber floor mats
- Dome light
- (6) Tack hooks





STOCKMAN SPORT

Bumper Pull

HORSE · LIVESTOCK | 2019

Enjoy the versatility of the Stockman Special with even more of the features you want with the Stockman Sport. This all aluminum, slant load horse trailer is suitable for either horses or livestock, and is available in 2, 3, or 4 horse stall models. In addition to the removable dividers, rubber floor mats, and front tack storage room that comes standard on the Stockman Special, the Stockman Sport has drop down feed doors on the head side and plexiglass on the rump side and rear doors.



STANDARD FEATURES

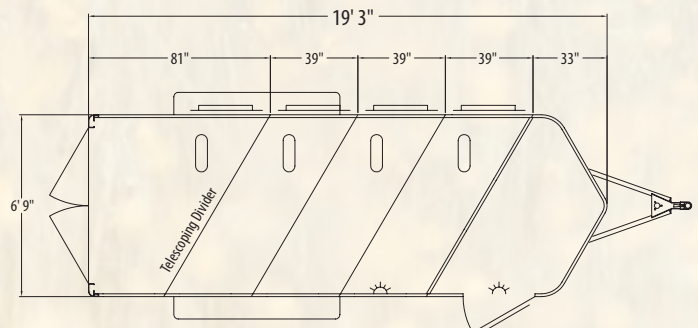
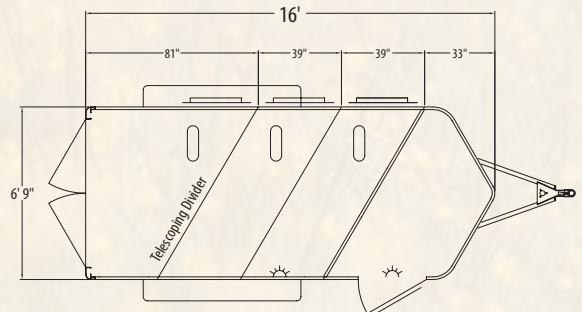
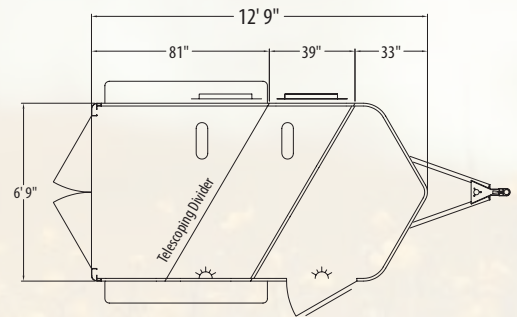
- 2 5/16" Bumper pull hitch
- 6' 9" Wide
- 7' Tall
- 2, 3, or 4 Horse stalls
- Slant load
- 39" Wide stalls
- All aluminum construction
- All aluminum floor
- Double wall extruded aluminum exterior sides
- Pre-painted aluminum skin
- LED clearance & tail lights
- Rubber torsion axles
- 4 Wheel electric brakes with safety breakaway
- Rear rubber bumper
- Top wind jack

HORSE AREA

- Padded airflow head and shoulder dividers
- Drop down feed door with sliding window per stall (head side)
- Floor mats
- (2) Air gaps with plexiglass on rump side and rear doors
- SunCoated™ rump wall and load side door

FRONT TACK STORAGE ROOM

- Locking door with sliding window
- Rubber floor mats
- Dome light
- (6) Tack hooks

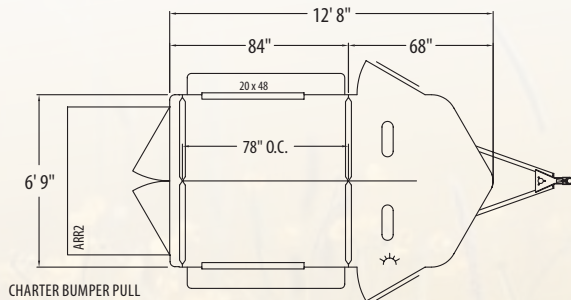




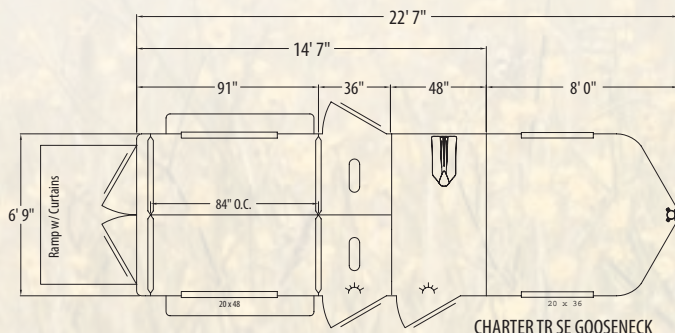
CHARTER//CHARTER TR SE

HORSE · LIVESTOCK | 2019

Bumper Pull



CHARTER BUMPER PULL



CHARTER TR SE GOOSENECK



The Charter is a 2 horse stall, straight load trailer that features 2 large sliding windows, a divider between stalls, a side access door per stall, and is 7' 6" tall. Looking for more storage? The Charter TR SE models comes with a large front tack room.



STANDARD FEATURES

- 2 5/16" Bumper pull hitch
- 2 Horse stalls
- Straight load
- 6' 9" Wide
- 7' 6" Tall
- 38" Wide stalls
- All aluminum construction
- All aluminum floor
- Pre-painted aluminum exterior (white)
- Rubber torsion axles
- 4 Wheel electric brakes with safety breakaway
- Spare tire and wheel with trim ring (TR SE only)
- Full length running boards (TR SE only)
- LED clearance & tail lights
- Top wind jack

HORSE AREA

- Padded airflow head and shoulder divider with butt bar and breast bar per stall
- Floor mats in horse area
- Large sliding window per stall
- Side access door with sliding window per stall
- SunCoated™ side walls (double wall construction)
- Spring loaded rear ramp with wrap around tail curtains
- Windows in curtain (TR SE only)
- Pop up vent per horse stall
- Dome light in horse area
- (1) Outside and (2) inside tie rings per stall

FRONT TACK STORAGE

Charter TR SE only

- Locking tack door with window
- Rubber floor mats
- Dome light
- (6) Tack hooks
- Blanket bar
- Brush tray
- (2) Sliding windows in the nose
- Sliding window in tack wall
- (2) Saddle racks

Gooseneck

STANDARD FEATURES, HORSE AREA, & FRONT TACK

In addition to bumper pull features excluding bumper pull hitch & top wind jack

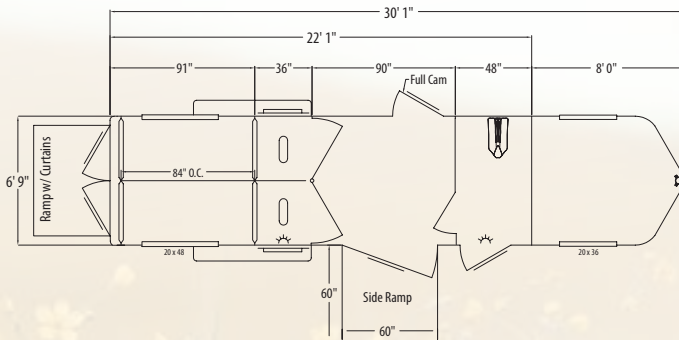
- 2 5/16" Gooseneck hitch, adjustable
- Drop leg jack
- Spare tire and wheel (TR SE only)
- Full length running boards (TR SE only)



CHARTER TR SE 2+1

HORSE · LIVESTOCK | 2019

Gooseneck



Get tons of extra features with the Charter TR SE 2+1. This 2 horse, straight load trailer is designed with a large side ramp and extra room for an additional horse. The Charter 2+1 also has large sliding windows in the back 2 stalls, 2 drop down feed doors, windows in the rear tail curtains, and a large tack storage room.



STANDARD FEATURES

- 2 5/16" Gooseneck hitch, adjustable
- 2 Horse stalls
- Straight load
- 6' 9" Wide
- 7' 6" Tall
- 38" Wide stalls
- All aluminum construction
- All aluminum floor
- Pre-painted aluminum exterior (white)
- Rubber torsion axles
- 4 Wheel electric brakes with safety breakaway
- LED clearance and tail lights
- Drop leg jack
- Spare tire and wheel
- Full length running boards

HORSE AREA

- Padded airflow head and shoulder divider with butt bar and breast bar per stall
- Floor mats in horse area
- Large sliding window per stall
- (2) Sliding windows in the tail curtains
- Drop down feed door with aluminum guard per stall
- SunCoated™ side walls (double wall construction)
- Spring loaded rear ramp (rubber lined) with wrap around tail curtains above rear ramp
- (2) Pop-up vents
- Dome light in horse area
- (3) Outside and (5) inside tie rings
- 60" Side ramp with curtain
- Full height stud door per stall
- Full height side access door

FRONT TACK STORAGE

- (2) Saddle racks
- Rubber floor mats
- Dome light
- (6) Tack hooks
- Blanket bar
- Brush tray
- Locking tack door with window
- 20" x 36" Windows in the nose
- Access door from tack room to horse area

TRANSPORTER

HORSE · LIVESTOCK | 2019

Gooseneck



STANDARD FEATURES

- 2 5/16" Gooseneck hitch, adjustable
- 4 Horse stalls
- Straight load
- 6' 9" Wide
- 7' 6" Tall
- 38" Wide stalls
- All aluminum construction
- All aluminum floor
- Double wall extruded aluminum sides
- Rubber torsion axles
- 4 Wheel electric brakes with safety breakaway
- LED clearance and tail lights
- Drop leg jack
- Spare tire and wheel
- Full length running boards

HORSE AREA

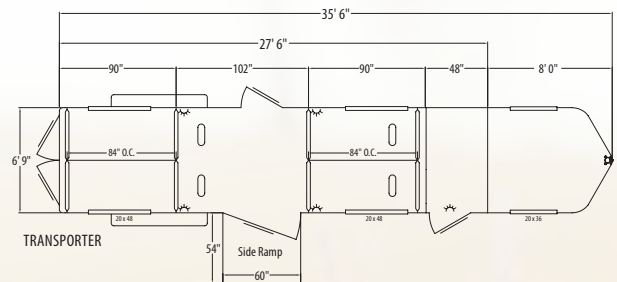
- Padded airflow head and shoulder divider with butt bar and breast bar per stall
- Floor mats in horse area
- Large sliding window per stall
- SunCoated™ side walls (double wall construction)
- Double rear doors with windows (w/ front tack room)
- Pop-up vent per horse stall
- Dome light in horse area per stall
- (1) Outside and (2) inside tie rings per stall
- 60" Side ramp with curtain

TACK STORAGE ROOM

- Locking tack door with window
- Rubber floor mats
- Dome light
- 20" x 36" Windows in the nose
- (6) Tack hooks
- Blanket bar
- Brush tray

The Transporter is a 4 horse, head to head trailer with many extra features. The design allows you to pull out any one of the 4 horses that it can haul without disrupting the others. There is a large window for each horse and a side ramp for easy loading and unloading. The Transporter comes with a fully functional tack room at the front of the trailer.

The Transporter's tack storage room with many extras is in the front of the trailer. This photo shows an optional spring loaded rear ramp with wrap around tail curtains above the ramp.

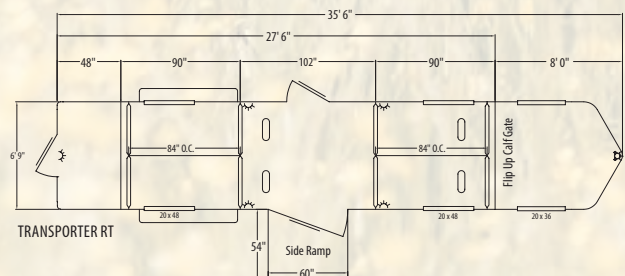


Also Available TRANSPORTER RT

Gooseneck



The tack room of the TRANSPORTER RT is in the rear of the trailer and features many extras. Just like the Transporter, this model has a side ramp for easy loading and unloading.





Available in 2 to 10 horse stall floorplans, the Rancher Sport is an all aluminum, slant load trailer. Drop down feed doors on the head side, plexiglass on the rump side and rear doors, removable dividers, rubber floor mats, and front tack storage room are just a few of the standard features on the Rancher Sport.



STANDARD FEATURES

- 2 5/16" Gooseneck hitch, adjustable
- 6' 9" Wide
- 7' Tall
- 2 - 10 Horse stalls
- Slant load
- 39" Wide stalls
- All aluminum construction
- All aluminum floor
- Double wall extruded aluminum sides
- Pre-painted aluminum skin
- Full length running boards
- Rubber torsion axles
- 4 Wheel electric brakes with safety breakaway
- Rear rubber bumper
- LED clearance and tail lights
- Drop leg jack

HORSE AREA

- Padded airflow head and shoulder dividers
- Floor mats
- Drop down feed door with sliding window per stall (head side)
- (2) Air gaps with plexiglass on rump side & rear doors
- SunCoated™ rump wall and load side door
- Double rear doors with plexiglass
- Pop up horse vent per stall
- Dome light in horse area
- (1) Outside and (2) inside tie rings per stall

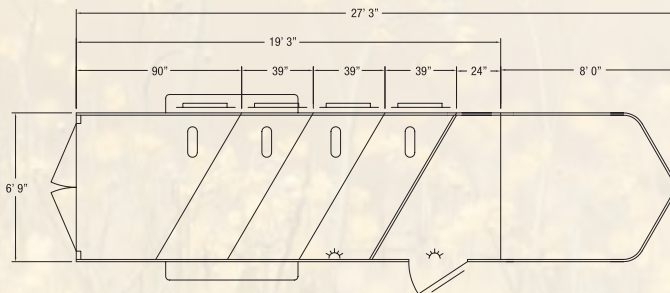
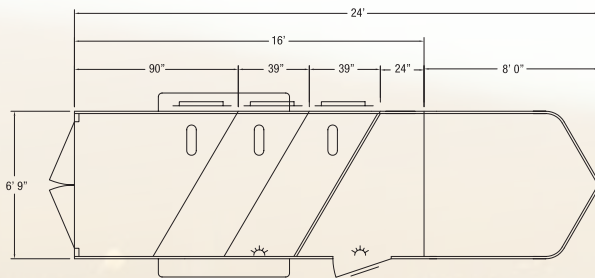
FRONT TACK STORAGE

- Locking door with sliding window
- Rubber floor mats
- Interior dome light
- (6) Tack hooks

RANCHER SPORT

HORSE · LIVESTOCK | 2019

Gooseneck



POPULAR OPTIONS

- Feed bags
- Face guards
- Extra height
- Saddle rack
- Extra lighting
- Rear ramp
- Spare tire
- Load lights
- Rear tack



RANCHER SPECIAL

HORSE · LIVESTOCK | 2019

Gooseneck



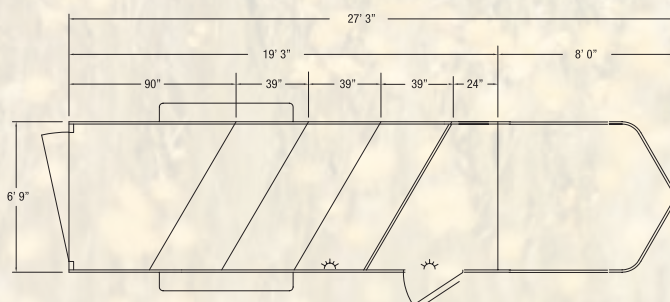
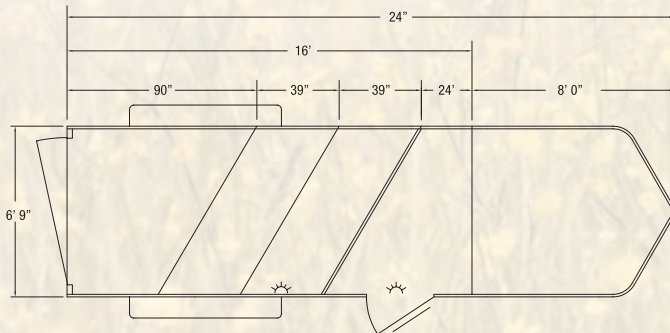
Sundowner's Rancher Special is a gooseneck stock/combo trailer that is available in 2 - 10 horse floorplans. It comes standard with a divider per stall, floor mats, air gaps that are plexiglass ready, and a tack room.



POPULAR OPTIONS

- Spare tire
- Load lights
- Plexiglass
- Saddle rack
- Additional interior dome light(s)
- Lined rump wall
- Windows in the nose
- Rear tack

Available in floorplans for 2 to 10 horse stalls.



STANDARD FEATURES

- 2 5/16" Gooseneck hitch, adjustable
- 6' 9" Wide
- 7' Tall
- 2 - 10 Horse stalls
- Slant load
- 39" Wide stalls
- All aluminum construction
- All aluminum floor
- Double wall extruded aluminum sides
- Pre-painted aluminum skin
- (2) Air gaps with plexiglass tracks
- LED clearance and tail lights
- Rubber torsion axles
- 4 Wheel electric brakes with safety breakaway
- Rear rubber bumper
- Drop leg jack

HORSE AREA

- Padded airflow head and shoulder dividers
- Floor mats in horse area
- Full swing rear gate
- (1) Outside and (2) inside tie rings per stall
- (1) Dome light inside horse area

FRONT TACK STORAGE ROOM

- Locking door with sliding window
- Rubber floor mats
- Interior dome light
- (6) Tack hooks



Shop Towing Accessories
at CroftTrailer.com





The Performer is a 2 horse stall, straight load trailer with a large tack storage room and tons of extra features. It comes standard with large sliding windows in the horse area, a divider between the stalls, feed mangers for each stall with a pass thru door, and is 7'6" tall. The Performer also has 2 sliding windows in the nose of the trailer and windows in the rear tail curtains.



STANDARD FEATURES

- 2 5/16" Bumper pull
- 2 Horse stalls
- Straight load
- 6' 9" Wide
- 7'6" Tall
- 38" Wide stalls
- All aluminum construction
- All aluminum floor
- Pre-painted aluminum exterior (white)
- Rubber torsion axles
- 4 Wheel electric brakes with safety breakaway
- LED clearance and tail lights
- Top wind jack
- Spare tire and wheel
- Full length running boards

HORSE AREA

- Padded airflow head and shoulder dividers with butt bar and breast bar per stall
- Floor mats
- Large sliding window per stall
- Tail curtain windows
- Drop down feed door per stall
- SunCoated™ side walls (double wall construction)
- Spring loaded rear ramp (rubber lined) with wrap around tail curtains above rear ramp
- Pop up vent per horse stall
- Dome light
- (1) Outside and (2) inside tie rings per stall
- Feed manger per stall

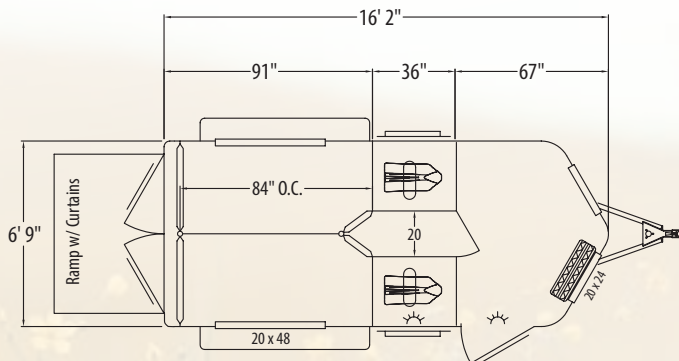
FRONT TACK STORAGE

- (2) Sliding windows in the nose
- Locking tack door with window
- Rubber floor mats
- Dome light
- (6) Tack hooks
- Blanket bar
- Brush tray
- Pass thru door
- (2) Saddle racks

PERFORMER

HORSE · LIVESTOCK | 2019

Bumper Pull





CARGO AND ENCLOSED

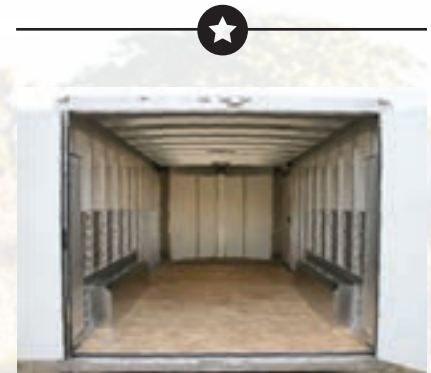
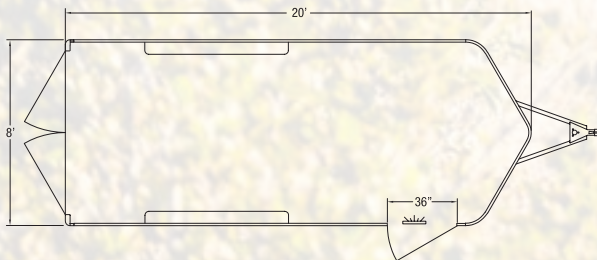


Sundowner offers lightweight and durable trailers to meet a variety of cargo hauling needs. Available in bumper pulls or goosenecks with endless options, they raise the bar for affordable cargo trailers. All aluminum construction and eye appeal set Sundowner cargo trailers apart from the pack.

CARGO BUMPER PULL

CARGO · ENCLOSED | 2019

Available in 6' 9",
8', and 8' 6" widths.



STANDARD FEATURES

- 2 5/16" Bumper pull hitch
- 6' 9" Wide
- 6' 6" Tall
- 12' - 30' Long
- All aluminum construction
- 3/4" Exterior grade plywood floors
- Aluminum I beam cross members on 12" centers
- Extruded aluminum sides with .050 smooth aluminum skin upper half
- .040 One piece aluminum roof, aluminum roof bows
- LED marker and tail lights
- Torsion ride axles
- All wheel electric brakes
- Radial tires and aluminum wheels
- 36" Side access door with camper latch with locking hasp
- Double rear doors with full height cam latch
- LED interior dome light
- Top wind jack



CARGO GOOSENECK

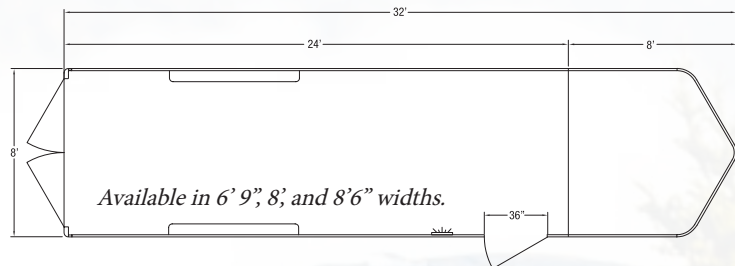
CARGO · ENCLOSED | 2019

STANDARD FEATURES

- 2 5/16" Gooseneck hitch
- 6' 9" Width
- 6' 6" Height
- 12' - 40' Length
- All aluminum construction
- 3/4" Exterior grade plywood floors
- Aluminum I beam cross members on 12" centers
- .050 Aluminum skin with 24" extruded sides
- 6 Skin color choices
- .040 One piece aluminum roof, aluminum roof bows
- LED marker and tail lights
- Torsion ride axles
- All wheel electric brakes
- Aluminum wheels
- Radial tires
- 36" Side access door with camper latch and locking hasp
- Double rear cargo doors with full height cam latch
- LED interior dome light
- Drop leg jack



The Sundowner Cargo gooseneck is truly the preferred commercial grade cargo trailer. Its lightweight all aluminum construction is engineered and built tough for years of trouble free use. As always, full customization is welcomed.



FARRIER BUMPER PULL

CARGO · ENCLOSED | 2019

STANDARD FEATURES

- 2 5/16" Bumper pull coupler
- 5' Standard trailer width
- 5' 6" Standard inside height
- 8' Length
- All aluminum construction
- All aluminum floor
- White exterior skin
- Lined and insulated side walls
- .040 One piece aluminum roof
- (1) 5200 lb Rubber torsion axle with brakes
- 225/75R15 Tires
- 36" Side access door with camper latch
- Concession door on street side
- Side access door on curbside
- Double rear doors with full height cam latch
- LED marker and tail lights
- (1) Dome light in storage room
- Top-wind jack
- 7GA Steel workbench top
- 10" Horseshoe racks in storage room



Sundowner specializes in all aluminum trailers custom designed for farriers. An endless array of options and storage solutions means you can get more done in less time, all at an affordable price.

Pop the top, open the back door and imagine the possibilities with the MiniGO cargo series from Sundowner. The lightweight, all aluminum frame and low profile make towing and storing a breeze. Available in 6 standard sizes, the MiniGO can be customized with popular options including a rear ramp, extra height, a roof rack, graphics, and a spare tire.

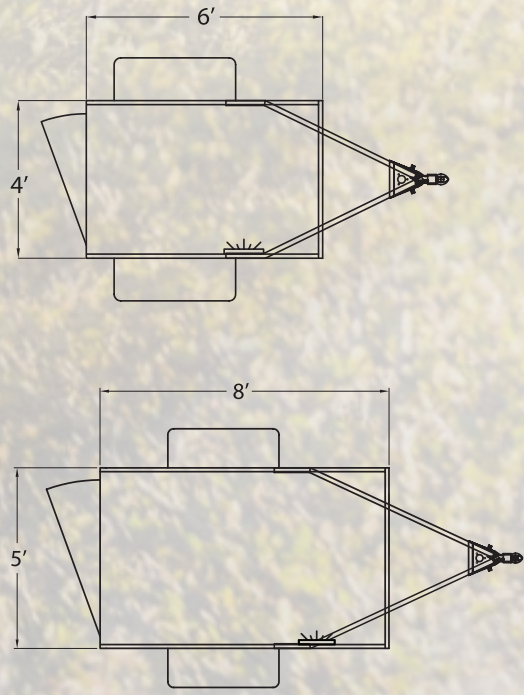


MINIGO *BUMPER Pull*

CARGO · ENCLOSED | 2019

SIZES

| | |
|------------|------------|
| • 4' x 6' | • 5' x 6' |
| • 4' x 8' | • 5' x 8' |
| • 4' x 10' | • 5' x 10' |



STANDARD FEATURES

- 4' Height
- All aluminum construction
- One piece roof
- Polished roof rail
- Bonded smooth .050 skin
- Single rear door with pressure latch and locking hasp
- Gravel guard
- Cargo panel floor
- Pop up roof with gas shocks
- Insulated walls
- Felt lined walls
- LED interior light
- (4) Tie rings (1 in each corner)
- LED marker and tail lights
- LED clearance lights
- Aluminum wheels
- Single 2000 lb axle
- 14" Radial tires
- Top wind jack
- 2" Hitch

POPULAR OPTIONS

- Rear ramp
- Extra height
- Spare tire
- Roof rack
- Aluminum tread plate fenders
- Off road tires
- Windows
- Side door
- Two tone skin
- Paint out
- Graphics





OPEN UTILITY AND CAR HAULER



CAR HAULER

UTILITY · CAR HAULER | 2019

BUMPER PULL

Showdowner's all aluminum open Car Haulers showcase your valuables while hauling them to your destination. LED lights, electric brakes, and torsion axles get you to your destination safely and comfortably.



STANDARD FEATURES

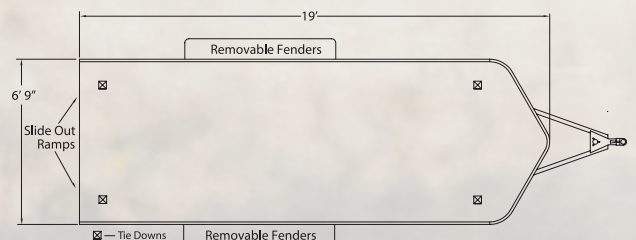
- 2 5/16" Bumper pull hitch
- 6' 9" Wide
- 19' Long (to front of tapered nose)
- All aluminum construction
- 6" Aluminum interlocking plank floor
- Polished heavy duty extruded aluminum bottom rail
- Removable fenders
- 6' Slide in removable ramps
- 4 Recessed heavy duty tie downs
- Aluminum wheels
- LED marker and tail lights
- Top wind jack
- Rubber torsion axles
- Electric brake both axles
- Tandem 3500 lb axles
- 225/75R15 Tires

POPULAR OPTIONS

- Dovetail
- Extra length
- Recessed spare box
- 3' Removable nose guard
- Enclosed nose guard (permanent)
- Utility ramp



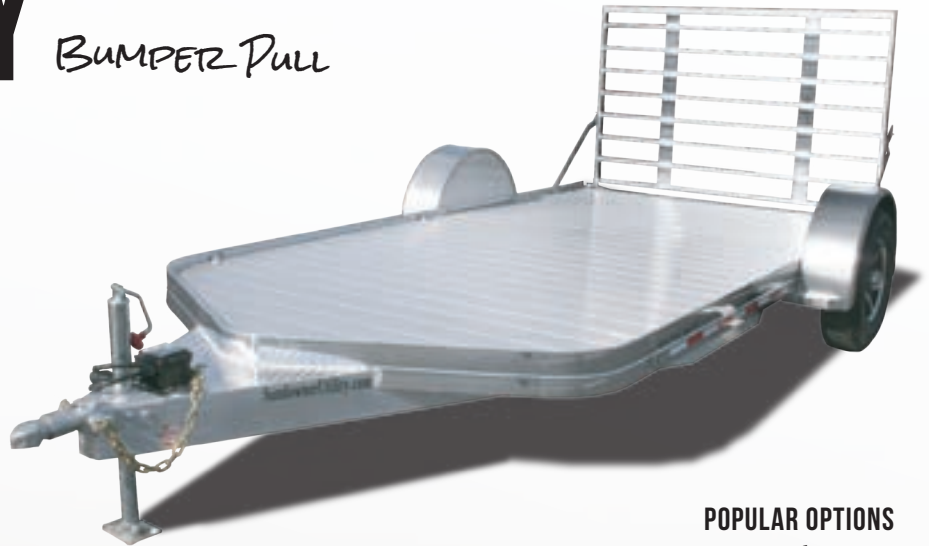
Shown with optional 3' removable nose guard.



UTILITY *BUMPER PULL*

UTILITY · CAR HAULER | 2019

The Sundowner Utility trailer is built with standard features designed to make work and play easy. Options such as the bi-fold ramp, heavy duty ramp, and bumper rail allow you to tailor your utility trailer to fit your specific needs. The all aluminum welded construction means your trailer will stand the test of time.



POPULAR OPTIONS

- Heavy duty ramp
- Bi-fold ramp
- 10" Front bumper rail

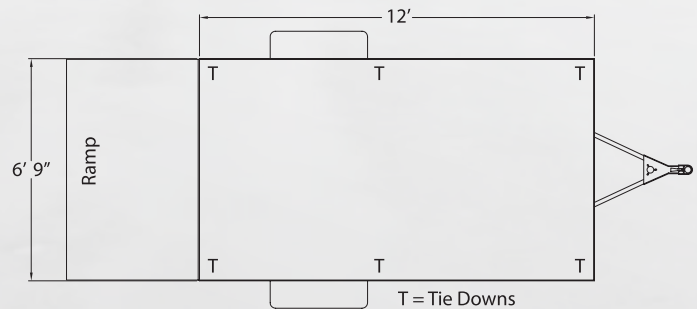
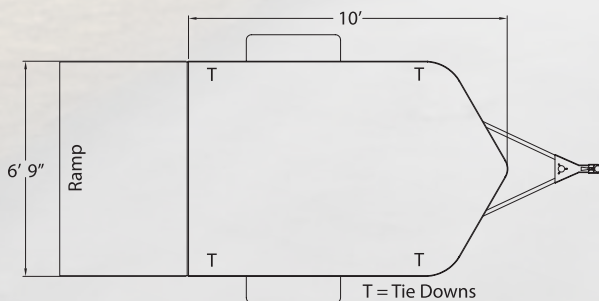


STANDARD FEATURES

- Widths: 5' or 6' 9"
- Lengths: 8', 10', 12', or 14'
- Tapered nose or square nose
- Interlocking aluminum plank floor
- Polished aluminum bottom rail
- 2" Bumper pull coupler
- Top wind jack
- Rubber torsion axle
- Radial tires with nitrogen
- Aluminum wheels
- Flip up ramp
- (6) Tie down rings (3 each side)
- Clear lens LED tail lights
- Clear lens bullet style clearance lights
- Aluminum fenders



| MODEL # | SIZE | AXLES | TIRES |
|---------|-------------|--------------------|-----------|
| 6008SUT | 5' x 8' | 2000 lb Axle | 14" Tires |
| 6010SUT | 5' x 10' | 2000 lb Axle | 14" Tires |
| 8110SUT | 6' 9" x 10' | 3500 lb Brake Axle | 15" Tires |
| 8112SUT | 6' 9" x 12' | 3500 lb Brake Axle | 15" Tires |
| 8114SUT | 6' 9" x 14' | 3500 lb Brake Axle | 15" Tires |

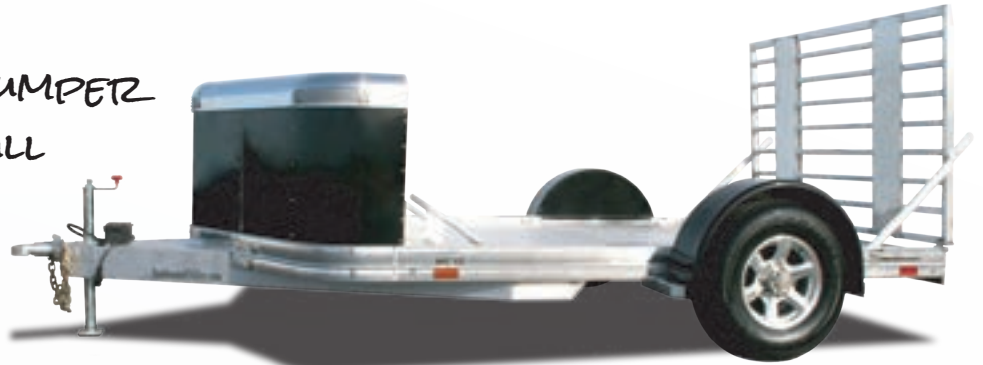


ORDER YOUR SUNDOWNER THE WAY YOU WANT IT. Call Croft Trailer Supply for a quote today at (800)426-8159.



MC12 *BUMPER Pull*

UTILITY · CAR HAULER | 2019

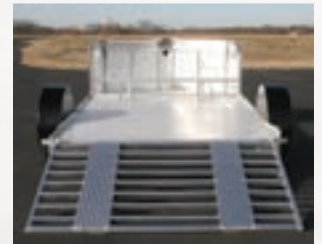
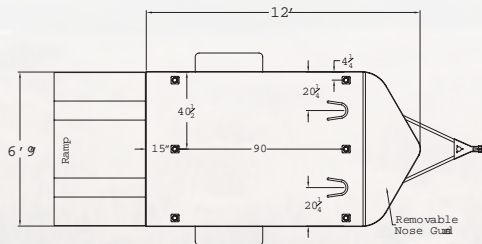


STANDARD FEATURES

- 2" Bumper pull hitch
- 6' 9" Wide
- 12' Long
- All aluminum construction
- 6" Aluminum interlocking plank floor
- Polished heavy duty extruded aluminum bottom rail
- Heavy duty 48" utility ramp with 10" treadplate strips
- 30" Noseguard
- 10" Bump rail inside nose
- Aluminum wheels
- (1) 3500 lb Rubber torsion axle with electric brake
- 225/75R15 Tires with nitrogen
- (2) Wheel chocks
- Top wind jack
- LED marker and tail lights
- LED load light mounted at back of noseguard
- 6 Skin color choices

POPULAR OPTIONS

- Extra length
- Custom paint
- Stainless nose wrap
- Spare
- Logistics track



The MC12 utility trailer from Sundowner combines their popular Utility and Car Hauler models for a trailer fit specifically for motorcycle hauling needs. The protective air dam shields your bike from road debris while the wheel chocks maintain your load position. The heavy duty ramp features 2 treadplate ramp strips to ensure safe loading and unloading. Flip the LED load light that's mounted on the back of the 10" bump rail to make it easier to secure your bike in low light conditions. This package can be tailored to fit your needs or painted to match your bike; customization is encouraged.

\$0 DOWN

Financing Available for 24, 36, or 48 Months.

*For qualifying buyers, subject to credit approval through Sheffield.



Scan the QR Code to Start the Application Process Today!

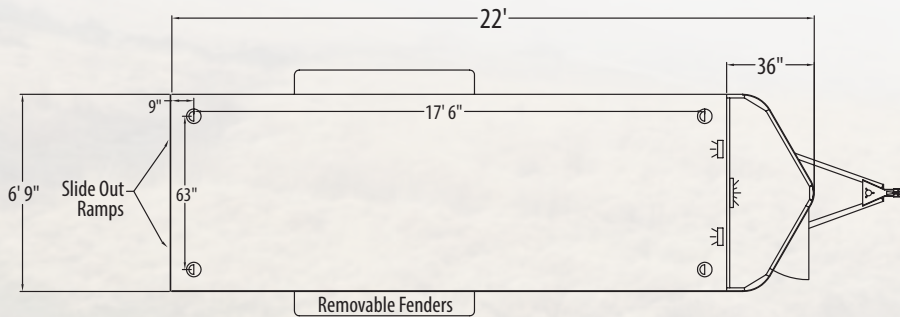


ULTRA *BUMPER Pull*

UTILITY · CAR HAULER | 2019



Sundowner Trailers added their most popular options to their open Car Hauler to create the Ultra Series. While you showcase and safely haul your toys, a 3' permanent enclosed storage compartment protects your valuables. A stainless steel nose, custom paint, and polished bottom rail provide the eye appeal.



STANDARD FEATURES

- 2 5/16" Bumper pull hitch
- 6' 9" Wide
- 22' Long
- Heavy duty extruded bottom rail polished
- All aluminum construction
- 6" Aluminum interlocking plank floor
- 81" Load area between fenders
- Removable painted fenders
- Running boards
- Enclosed storage compartment with door
- Stainless steel skin on nose compartment
- Painted top rail on storage compartment
- (2) 12" LED lights on back of nose
- LED tail and marker lights
- 8' Slide in ramps
- (2) 3500 lb Axles
- 225/75R15 Tires with nitrogen
- Spare tire
- Aluminum wheels

POPULAR OPTIONS

- Dovetail
- Utility ramp
- Logistics track
- Extra length





APU UTILITY

UTILITY · CAR HAULER | 2019

*BUMPER
Pull*



The APU is a versatile, durable, and all purpose utility trailer covered by a 3 year hitch to bumper, 8 year structural warranty. See page 2 for warranty details.

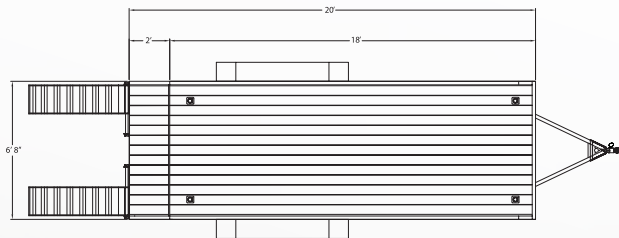


STANDARD FEATURES

- 2 5/16" Bumper pull hitch
- 6' 8" wide
- Lengths from 16' to 24'
- All aluminum construction
- 6" Channel frame
- 3" Channel crossmembers
- 2" Treated wood floor
- Square nose with 10" bump rail
- Diamond tread plate fenders
- 2' Dovetail
- Fold down ramps with adj. stabilizer
- (4) 5000 lb Recessed D-ring tie downs
- Stake pockets
- Clear lens LED lights
- Aluminum wheels
- Nitrogen filled radial tires
- 80" Load area between fenders

POPULAR OPTIONS

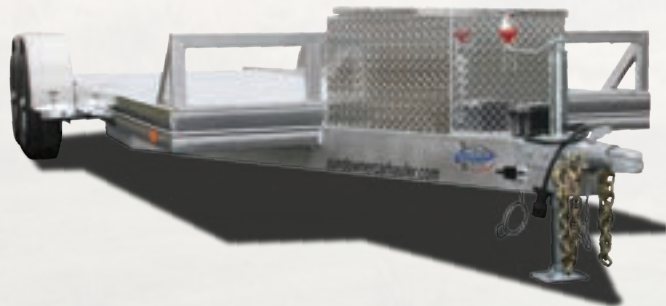
- Spare tire
- Lockable storage box
- Utility ramp



4000AP ALL PURPOSE UTILITY

UTILITY · CAR HAULER | 2019

*BUMPER
Pull*



The 4000AP has all the eye appeal of Sundowner's open Car Hauler combined with the most popular features from their Utility trailer.

STANDARD FEATURES

- 2 5/16" Bumper pull hitch
- 6' 9" wide

- 16', 18', 20', & 22' lengths
- All aluminum construction
- 6" Aluminum interlocking plank floor
- Polished heavy duty bottom rail
- Removable fenders
- Bump rail
- Front storage box
- LED load light (mounted at rear of storage box)
- 7' Slide out ramps
- (6) Recessed heavy duty tie rings
- 6 Hole aluminum wheels

- LED marker and tail lights
- Top wind jack
- 4000 lb Rubber torsion axles
- 4 Wheel electric brakes
- 225/75R15 Tires with nitrogen

POPULAR OPTIONS

- Dovetail
- Recessed spare box
- Utility ramp
- Spare



ALL PURPOSE UTILITY 9624

UTILITY · CAR HAULER | 2019

*BUMPER
Pull*

Sundowner's All Purpose Utility trailer has a sporty look with stylish features and is built road worthy for a long life. This all aluminum deckover trailer is 8' wide with stake pockets and a rub rail, a front bump rail, and an interlocking aluminum plank floor. By selecting from a wide array of options, units can be tailored to specific needs for motorcycle, ATV, or outdoor enthusiasts of all types — as well as for specific business and professional uses.

STANDARD FEATURES

- 8' Wide deck plus rub rail and stake pockets
- Aluminum plank floor
- 20' to 24' Length
- Front bump rail/guard
- Slide in ramps
- Adjustable 2 5/16" coupler
- 5200 lb Rubber torsion axles
- 15" Radial tires
- Aluminum wheels
- All aluminum construction

POPULAR OPTIONS

- Tool boxes
- Air dam
- Dovetail
- Spare tire and wheel
- Heavy duty flip out ramps
- Extra length
- Upgraded axles and tires



Shown with popular option heavy duty flip out ramps.



SIZES

- 102" x 20' + 5'
- 102" x 22' + 5'
- 102" x 24' + 5'
- 102" x 26' + 5'
- 102" x 28' + 5'

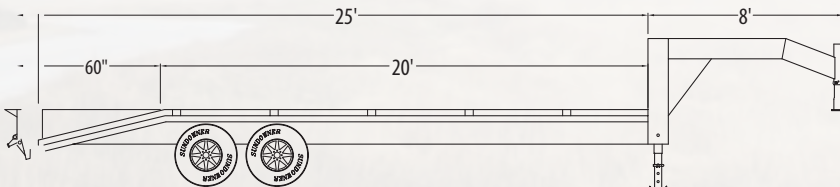


XL DECKOVER

GOOSENECK

UTILITY · CAR HAULER | 2019

Sundowner's XL DeckOver Series has the tough features you need to handle anything from equipment for work, hay/feed for animals, or your toys (like ATV's, Side by Sides and rock crawlers). The XL DeckOver is loaded with features and popular options, plus it can be fully customized. This gooseneck has a 2" x 6" treated wood floor on 12" I beam crossmembers. The dovetail has flip over heavy duty ramps for easy loading and the rub rail features stake pockets to make securing your load easy.



STANDARD FEATURES

- 2 5/16" Gooseneck hitch
- 33' Length
- 25' Floor length
- 5' Dovetail
- 102" Width
- (2) 7000 lb Torison axles
- 235/80R16 Tires with nitrogen
- 12" Aluminum I-beam frame and neck
- 3" Channel crossmembers on 12" centers
- Rub rail with stake pockets
- 2" x 6" Treated wood floor
- Dovetail with heavy duty flip up ramps
- Lockable tool box between gooseneck uprights
- Step with grab handle
- LED marker and tail lights
- Dual drop leg jacks
- Aluminum wheels
- Spare tire

ORDER YOUR SUNDOWNER THE WAY YOU WANT IT.

Call Croft Trailer Supply for a quote today at (800)426-8159.



POPULAR OPTIONS

- Extra length
- Aluminum floor
- Hydraulic jack
- XL ramp
- Additional toolbox

OUTDOORSMAN

UTILITY · CAR HAULER | 2019

BUMPER PULL

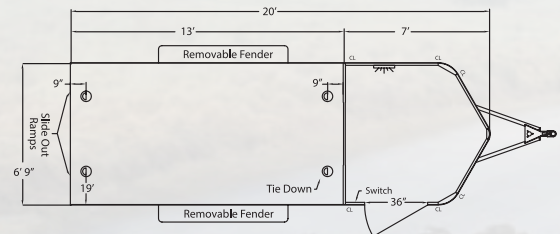


The Outdoorsman offers a versatile solution to all of the hauling needs of an active lifestyle. Whether you are hauling an ATV, lawn equipment for your business, or a car behind your RV, the front storage compartment keeps your gear locked up so you can focus on the task at hand. Lightweight and easy to maneuver, Sundowner brings you the quality you expect with the flexibility your lifestyle demands.



STANDARD FEATURES

- 2 5/16" Bumper pull hitch
- 6' 9" Wide (81")
- 20' Long
- 7' Enclosed cargo box
- 6' 6" Tall
- 13' Open deck
- All aluminum construction
- Aluminum exterior skin in a variety of colors
- 36" Side access door
- 6" Aluminum interlocking plank floor
- Lined and insulated walls
- Polished heavy duty extruded aluminum bottom rail
- Removeable Fenders
- Full length running boards
- 6' Slide in removable ramps
- (4) Recessed heavy duty tie downs
- Aluminum wheels
- LED marker and tail lights
- Top wind jack
- Rubber torsion axles
- Electric brake both axles
- Tandem 3500 lb axles
- 225/75R15 Tires
- 2' Front gravel guard



POPULAR OPTIONS

- Dovetail
- Extra length
- Utility ramp
- Spare tire
- Rear access door to open deck
- Load lights or Porch lights
- Cabinets/shelves
- Air conditioning
- Electrical package
- Windows





ENCLOSED TOY HAULER



STANDARD FEATURES

- 2 5/16" Bumper hitch
- 7' 6" Wide
- 14' and 16' Long
- 6' Tall
- Spread axle
- (2) 3500 lb axles
- All wheel electric brakes
- All aluminum construction
- Bonded .050 skin interior
- Polish top rail and rear post
- Rubber coin flooring
- Full rear ramp with cable assist
- 12" Flip down ramp extension
- Lockable twist latch on each side of rear ramp
- 32" Side door with weld on hinges and camper latch
- (2) Removable wheel chocks
- (3) Rows of aluminum logistic E-track recessed in floor
- Logistic track tie downs
- Closet and overhead cabinets
- (2) Low profile bi-directional vents
- (2) LED flush-mounted dome lights
- Aluminum wheels
- 225/75R15 Tires with nitrogen
- Spare tire
- 2' Gravel guard
- Clear lens LED marker and tail lights
- (4) Tail lights

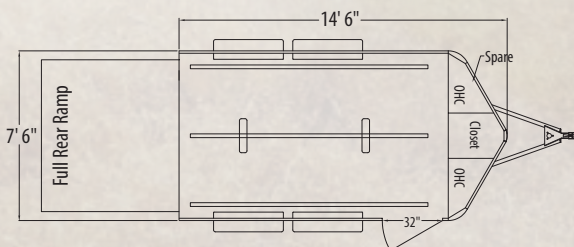


MOTORCYCLE TRANSPORT

BUMPER PULL

ENCLOSED TOY HAULER | 2019

From long road trips to commercial transport, the extra protection from Sundowner's Motorcycle Transport enclosed trailer offers peace-of-mind and style as a bonus! Features start with a full height closet, overhead cabinets for storing gear and equipment, a rear ramp for easy loading and unloading, wheel chocks for securing your bikes, and smooth bonded skin inside and out for a stylish look.



POPULAR OPTIONS

- Additional footage
- Custom paint
- Split skin colors
- Graphic package
- Electrical package





Shown with optional extruded lower sides.

STACKER

Bumper Pull

ENCLOSED TOY HAULER | 2019

Whether you're a touring professional racer, a sportsman, or a serious recreational enthusiast, the popular Sundowner Stacker can more than accommodate your needs. An upper loft solves the need for excessive trailer lengths while still having plenty of room for cars, spare parts, tools, and equipment. The all aluminum construction, cabinet packages, and 110 volt electrical packages are complimented by many well thought out features and unlimited customization.

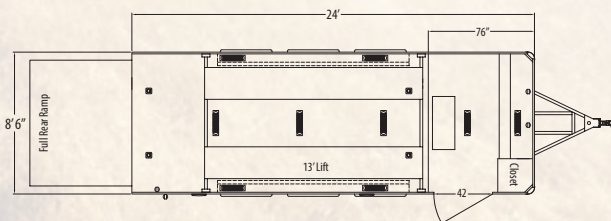


STANDARD FEATURES

- 2 5/16" Adjustable bumper pull hitch
- 8'6" Wide
- 11' 2" High
- 20', 22', 24', 26', & 28' Lengths
- All aluminum construction
- Aluminum plank floor
- Polished cast aluminum corners
- .040 One piece aluminum roof skin
- .050 Bonded exterior and interior skin
- Fully lined and insulated
- Rear roof spoiler with (3) lights
- Spread axle
- 7000 lb Torsion axles
- 16" Radial tires with nitrogen
- Aluminum wheels
- Spare tire
- All wheel electric brakes
- 54" Tongue
- Aluminum tread plate tongue cover
- 2' Gravel guard
- Full rear ramp with cable assist, butterfly latch each side, and locking 12" flip down ramp extension
- (2) Surface mounted scene lights on curb side
- (2) Side mounted back-up lights
- LED clearance lights
- (4) Tail lights
- Side door with weld on hinges & camper latch only with recessed entry step
- Upper loft
- Full width aluminum overhead cabinet on nose
- 60 AMP converter and 12V fuse panel (in street side OHC)
- 110V Electrical package
- 30' Power cord (30A)
- Dual batteries with box
- LED flush-mounted dome lights
- (4) 5000 lb Tie downs in floor
- 6000 lb Titan lift

POPULAR OPTIONS

- Generator packages
- Premium flip up side door
- Awning
- Double door entry
- Graphics
- Hydraulic jack
- Polished extruded sides





RACE SERIES

ENCLOSED TOY HAULER | 2019

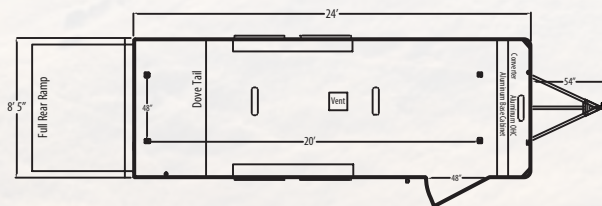
Bumper Pull

Sundowner's Race Series enclosed trailer offers the classic eye appeal of a race trailer and the enclosed security you need for your valuable investment. It keeps your car ready and in pristine condition until race time. Enjoy all aluminum construction, cabinet options, smooth-bonded skin both inside and out, a rear spoiler with LED lights, and a dovetail.



STANDARD FEATURES

- 2 5/16" Bumper pull hitch
- Covered A-Frame with ATP
- 8' 6" Wide
- 7' Tall
- 20', 24', 28', or 32' Floor length
- All aluminum construction
- Bonded .050 skin interior
- Rubber torsion axles
- Spread axle
- All wheel electric brakes
- Nitrogen filled radial tires
- Aluminum wheels
- 4' Dove tail
- Rear roof spoiler with 2 lights
- Top wind jack
- Polished cast aluminum corners
- Polished stainless front verticals and radius
- Side door with weld on hinges
- Low profile slide-out step under side door
- Full rear ramp with cable assist,



- butterfly latch each side with locking hasp
- 12" Flip down ramp extension
- Camper vent, framed and wired for AC
- Full width aluminum base cabinet on nose
- Full width aluminum overhead cabinet on nose
- (4) 5000 lb Tie downs in floor
- (4) 110V Outlets
- 60 AMP convertor and 12V fuse panel with 30' power cord and battery
- 2' Gravel guard
- 18" LED flush-mounted dome lights

POPULAR OPTIONS

- Additional footage
- Generator package
- Graphic package
- Matching spare wheel and tire



XTRA SERIES TRANSPORTER

Bumper Pull

ENCLOSED TOY HAULER | 2019



The XTRA Series Transporter offers timeless appeal and the superior quality Sundowner customers have come to expect. This line was developed by their design and engineering team to meet the growing demand for a performance based trailer. The structural integrity is second to none as it was designed to exceed commercial grade standards. The XTRA Series includes the standard features of Sundowner's commercial grade cargos, plus features tailored for motor sports enthusiasts.



STANDARD FEATURES

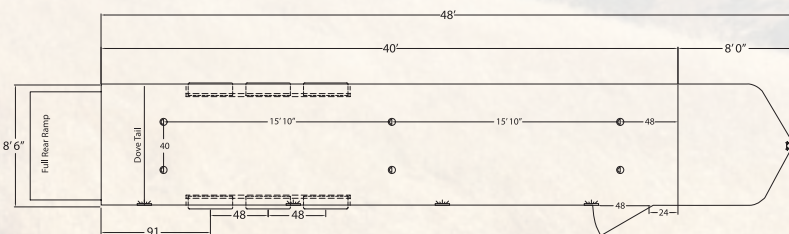
- 8' 6" Wide
- 7' Tall
- 20' - 30' Lengths
- Stainless nose strip
- 24" Extruded aluminum lower half, .050 smooth skin aluminum upper half
- Polish package
- Spread axles
- Aluminum wheels
- Nitrogen filled tires
- Aluminum plank floor
- Heavy duty recessed floor ties
- Dovetail
- Rear ramp
- Cable assist
- 48" Side door
- Extra dome lights
- Spare tire
- Extra clearance lights

Gooseneck

STANDARD FEATURES

In addition to bumper pull features

- 20' - 40' Lengths
- Dual jacks





CUSTOM FEATURES

With SunDowner, you can custom order your trailer with exactly the features you want and need. Customize stalls for livestock and horses, order a reinforced ramp for a car hauler, use your trailer as a home on the road with living quarters, or have cabinets added for a landscaping business.



THE PERFECT HORSE STALL STARTS HERE



CUSTOM HORSE TRAILER OPTIONS



Horses don't all come in one size, so why should horse stalls? With SunDowner, height can be added in 6" increments and stall widths can be adjusted so your horses fit comfortably. Choose only the features that matter to you, make your horse stalls perfect or any breed, any size.

**SEE POPULAR
OPTIONS ON THE
NEXT PAGE**



HORSE AND LIVESTOCK

POPULAR OPTIONS

- Add. height
- Add. width, 7'6" or 8'
- Padded solid head and shoulder dividers
- Drop down feed doors with sliding windows
- SunCoated™ kick panels, sidewalls, slant wall, and rear doors
- Tack hooks
- Blanket bars
- Brush trays
- Saddle racks
- Rubber floor mats
- Water system
- Mister system
- Pop-up horse vents
- Tie down rings
- Additional lighting
- Feed bags
- Air conditioner
- Hayrack
- Plexiglass storage compartments
- Lined & insulated roof
- Rumpside window package per model (window per stall on rumpside, window in load side rear door, side access door, and SunCoat™ on headside)
- Aluminum face guards
- Additional vents
- Spare tire
- Generator
- Custom paint
- Polished side slats
- Stainless steel skin
- Awning



Shown on the left - Swing out saddle racks are a helpful horse trailer addition.

NEED MORE HEIGHT OR WIDTH TO IN THE STALLS? WE CAN HELP.

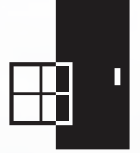


TRAILER INTERIORS AND LIVING QUARTERS

POPULAR OPTIONS

- Additional doors, windows, and cabinets
- Furnace
- 2 Burner cook top
- E-Track
- Floor tie-downs
- Additional dome lights
- Load lights
- Full rear or side ramps
- Hydraulic jack
- Electric motor assist on jack
- Awning
- Upgraded flooring
- Dinette
- Boot bench
- Generator
- Spare tire

NEED EXTRA DOORS AND WINDOWS? LET US HELP.



OPEN UTILITY ADD-ONS

- Tool boxes
- Air dam
- Dovetail
- Spare tire and wheel
- Heavy-duty flip-out aluminum ramps
- Extra length
- Aluminum floor
- Hydraulic jack
- XL ramp
- Upgraded axles, wheels and tires





FINISHING TOUCHES



The trailer professionals at Croft can recommend accessories to help keep your trailer safe and secure as well as thousands of parts to keep your trailer rolling.



Often times accessories like locks, wheel chocks, and safety pins are needed when you purchase a new trailer. Find a wide variety of trailer equipment online or at a Croft retail and service center.



Don't have time for do-it-yourself trailer maintenance? Bring it to the trailer techs at Croft for your service and repair needs.



Upgraded axles can allow for increased towing capacity & durability.



Fold-up benches, cabinets, extra outlets, windows, window treatments, finished walls & upgraded flooring was added to this enclosed car hauler for a sleek finish.



THE TRAILER OF YOUR DREAMS *IS CLOSER THAN YOU THINK*

Croft Trailer Supply is partnered with Sheffield Financial to help you afford your new trailer. Financing options are available for 24, 36, or 48 months, with \$0 down at signing.

*For qualifying buyers, subject to credit approval through Sheffield.



Scan the QR Code to
Start the Application
Process Today!



4 FULL SERVICE
KC METRO LOCATIONS

970 N Rogers Rd
Olathe, Kansas
(913) 780-1818

4933 Truman Rd
Kansas City, Missouri
(816) 483-7274

2401 S 291 Hwy
Lee's Summit, Missouri
(816) 525-9355

632 S Hwy 169
Smithville, Missouri
(816) 532-8900