

# Stockman Sport

**BUMPER PULL**



The Stockman Sport is an all aluminum slant load horse trailer designed for the versatility that many horse enthusiasts are searching for today. This bumper pull is available in a 2, 3 or 4 horse model. It has drop down feed doors on the head side and Plexiglas on the rump side and rear doors. The Stockman Sport has removable dividers, rubber floor mats and comes with a front tack storage room. It is built with the same quality and standards that people have come to expect from Sundowner. The Stockman Sport carries a 3 year hitch to bumper and 8 year structural warranty. This trailer is perfect for hauling with smaller tow vehicles.

## STANDARD FEATURES

- 2 5/16" Bumper Pull hitch
- 6' 9" Wide
- 7' Tall
- 2, 3 or 4 horse
- Slant load
- 39" Wide Stalls
- All aluminum construction
- All aluminum floor
- Double wall extruded aluminum sides
- Pre-painted aluminum skin
- LED clearance and tail lights
- Rubber torsion axles
- 4 wheel electric brakes with safety breakaway
- Rear rubber bumper
- Top wind jack

- Pop up horse vent per stall
- Double rear doors with Plexiglas
- Dome light in horse area
- 1 Outside and 2 inside tie rings per stall

## FRONT TACK STORAGE

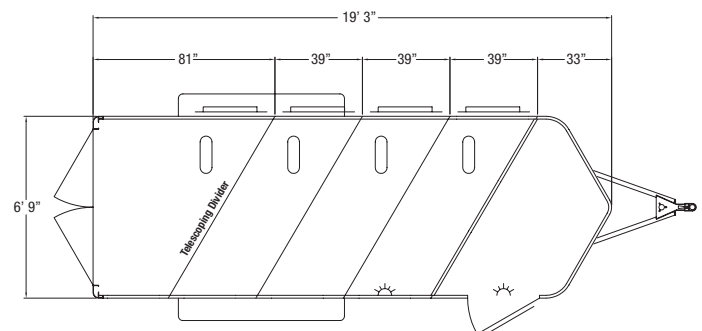
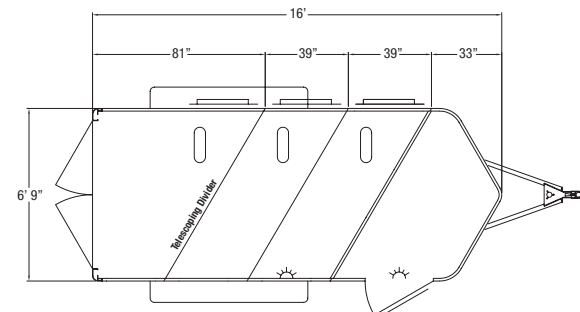
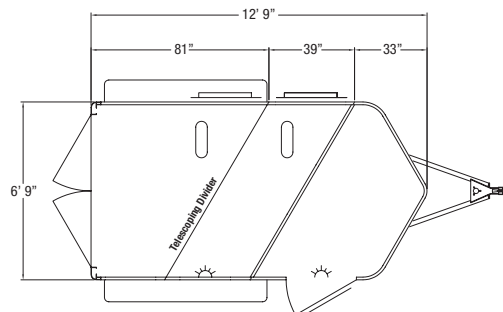
- Locking door with sliding window
- Rubber floor mats
- Interior dome light
- 6 Tack hooks

## POPULAR OPTIONS

- Gravel guard
- Face guards
- Extra height
- Extra lighting
- Rear ramp
- Saddle rack
- Rear tack

## HORSE AREA

- Padded airflow head and shoulder dividers
- Floor mats in horse area
- Drop down feed door with sliding window per stall (head side)
- 2 Air gaps with Plexiglas on rump side and rear doors
- SunCoated™ rump wall and load side door



All dimensions are approximate. Photos may show options. Due to constant product improvements, specifications, component parts, standard and optional equipment are subject to change without notice or obligation. Refer to standard and special features for specifics. See your dealer for warranty details. 2016 © Sundowner Trailers, Inc. (12.20.16)

SUNDOWNER TRAILERS, INC.

9805 OK Highway 48 South • Coleman, Oklahoma 73432-8523  
800-438-4294 • www.sundownertrailer.com

# Super Sport

**BUMPER PULL**



The industry's best selling slant load trailer, the Super Sport is an all aluminum slant load horse trailer designed for the versatility that many horse enthusiasts are searching for today. This bumper pull is available in a 2, 3 or 4 horse model. It has drop down feed windows with face grills on the head side and removable Plexiglass on the rump side and double rear doors. The Super Sport has removable dividers, rubber floor mats and comes with a front tack storage room. This trailer is perfect for hauling with smaller tow vehicles.

## STANDARD FEATURES

- 2 5/16" Bumper pull hitch
- 6' 9" Wide
- 7' Tall
- 2, 3 or 4 horse
- Slant load
- 39" Wide stalls
- All aluminum construction
- Interlocking extruded aluminum floor
- 2" Upright wall posts welded on both sides
- Prepainted aluminum skin
- LED clearance and tail lights
- Rubber torsion axles
- 4 Wheel electric brakes with safety breakaway
- Rear rubber bumper
- Full length running boards
- Top wind jack
- Graphics



## HORSE AREA

- Padded airflow head and shoulder dividers
- Floor mats in horse area
- Drop down feed window with face grill per stall (head side)
- 2 Air gaps with removable Plexiglas on rump side
- 48" Suncoated™ horse area
- Pop up horse vent per stall
- Double rear doors with sliding windows
- Dome light in horse area
- 2 Inside and one outside tie ring per stall



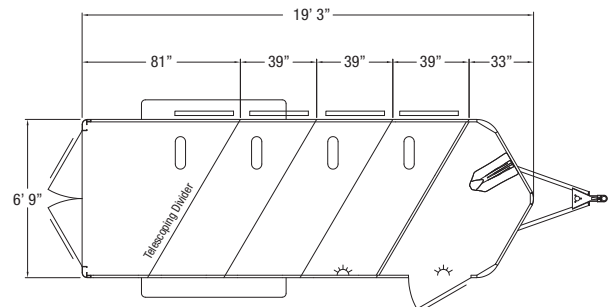
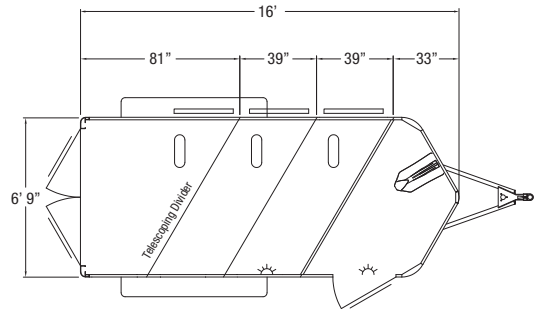
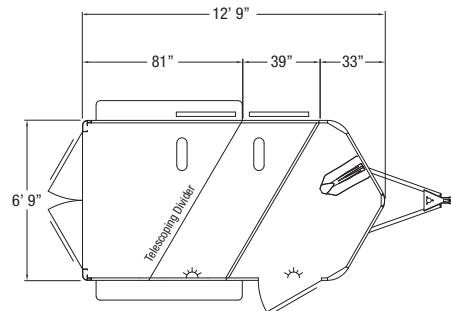
## FRONT TACK STORAGE

- Locking door with sliding window
- Rubber floor mats
- Interior dome light
- 6 Tack hooks
- Saddle rack per stall



## POPULAR OPTIONS

- Extra height
- Extra lighting
- Skin colors: white, black, silver, charcoal, champagne
- Gravel guard
- Rear ramp
- Rear tack
- Spare
- Swing out saddle rack



All dimensions are approximate. Photos may show options. Due to constant product improvements, specifications, component parts, standard and optional equipment are subject to change without notice or obligation. Refer to standard and special features for specifics. See your dealer for warranty details. 2019 © Sundowner Trailers, Inc. (1.24.19)

SUNDOWNER TRAILERS, INC.

9805 OK Highway 48 South • Coleman, Oklahoma 73432-8523  
800-438-4294 • [www.sundownertrailer.com](http://www.sundownertrailer.com)

# Super Sport

## GOOSENECK



The popular Sundowner Super Sport is an all aluminum slant load horse trailer designed for the versatility that many horse enthusiasts are looking for today. This gooseneck trailer is available in 2 to 6 horse. It has drop down feed windows with face grills on the head side and Plexiglas on the rump side. The Super Sport has removable dividers, rubber floor mats and comes with saddle seats in the front tack storage room.

### STANDARD FEATURES

- 2 5/16" Gooseneck hitch, adjustable
- 6' 9" Wide
- 7' Tall
- 2 to 6 horse
- Slant load
- 39" Wide stalls
- All aluminum construction
- Interlocking extruded aluminum floor
- White exterior skin
- Rubber torsion axles
- 4 Wheel electric brakes with safety breakaway
- Rear rubber bumper
- LED clearance lights
- 4 LED tail lights
- Full length running boards
- Drop leg jack

### HORSE AREA

- Padded airflow head and shoulder dividers
- Floor mats in horse area
- Drop down feed window with face grill per stall (head side)
- 2 Air gaps with removable Plexiglas on rump side
- 48" SunCoated™
- Double rear doors with sliding windows
- Pop up horse vent per stall
- Dome light in horse area
- 2 Inside and one outside tie ring per stall

### FRONT TACK STORAGE

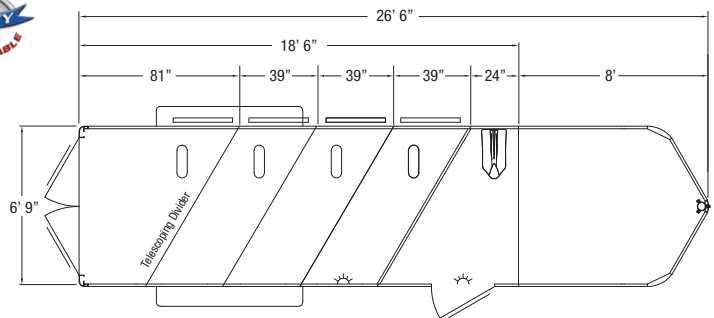
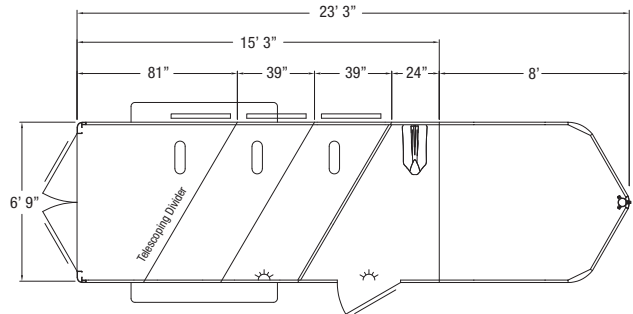
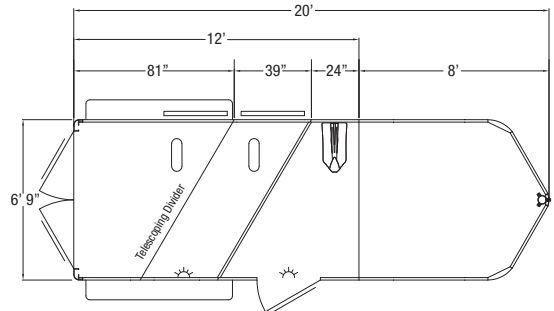
- Locking door with sliding window
- Rubber floor mats
- Interior dome light
- 6 Tack hooks
- Saddle rack per stall, (Up to 4)

### POPULAR OPTIONS

- Skin colors: black, silver, charcoal or champagne
- Extra height
- Extra lighting
- Rear ramp
- Stainless nose
- Window/s in nose
- Feed bags
- Escape door
- Spare
- Load lights
- Rear tack
- Swing out saddle rack
- Running horse graphics



*Shown with options: stainless nose, escape door, windows in gooseneck and graphics.*



All dimensions are approximate. Photos may show options. Due to constant product improvements, specifications, component parts, standard and optional equipment are subject to change without notice or obligation. Refer to standard and special features for specifics. See your dealer for warranty details. 2016 © Sundowner Trailers, Inc. (8.13.19)

SUNDOWNER TRAILERS, INC.

9805 OK Highway 48 South • Coleman, Oklahoma 73432-8523

800-438-4294 • www.sundownertrailer.com

The Sundowner Super Tack Bumper Pull is an all aluminum slant load trailer of the working equestrian's dream. The Super Tack accommodates from 2-4 horses and features a spacious front tack room loaded with features. The tack room is standard with a carpeted walls, swing out saddle rack, hat shelf with clothes rod, blanket tree, boot box, camper vent and much more. The horse area has double rear doors, drop down feed windows with face guards, dome light per stall, side access door on the first stall with a drop down window, window per stall on the curb side, and much more! All is backed by the Sundowner 36 month hitch to bumper and 8 year structural warranty.

# SuperTack

## BUMPER PULL



### STANDARD FEATURES

- 2 5/16" Bumper pull hitch
- 6' 9" Wide
- 7' Tall
- 2 to 4 Horse
- Slant load
- 39" Wide stalls
- All aluminum construction
- Interlocking extruded aluminum floor
- White exterior skin
- Double rear doors with windows
- 2' Gravel guard
- Spare tire
- Aluminum wheels
- 4 Wheel electric brakes with safety breakaway
- Rear rubber bumper
- LED load lights one at rear door and 1 over front double tack doors
- LED clearance lights
- 4 LED tail lights
- Full length running boards
- Topwind jack
- Graphics

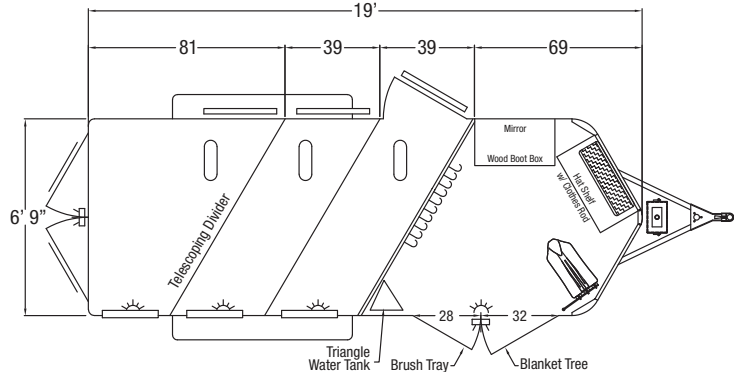
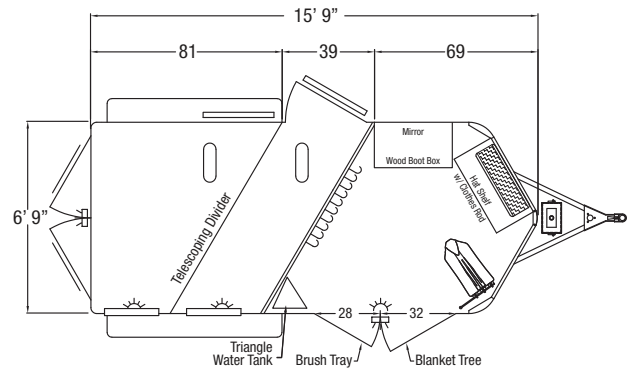
### FRONT TACK ROOM

- Double tack room doors
- Battery box and battery
- Camper vent
- Rubber floor mats
- Felt board lined walls
- Carpeted boot box
- Mirror
- Water tank with hose
- Interior dome light
- Swing out saddle rack
- Hat shelf with clothes rod
- Manure fork
- 3 Bar blanket tree on tack door

- 10 Hook Bridle Bar on slant wall
- Brush tray
- Mesh door organizer

### POPULAR OPTIONS

- Skin colors: black, silver, charcoal or champagne
- Feed bags
- Extra height
- Extra lighting
- Rear ramp
- Open air slat with removable plexi-glass



All dimensions are approximate. Photos may show options. Due to constant product improvements, specifications, component parts, standard and optional equipment are subject to change without notice or obligation. Refer to standard and special features for specifics. See your dealer for warranty details. 2019 © Sundowner Trailers, Inc. (9.20.19)

SUNDOWNER TRAILERS, INC.

9805 OK Highway 48 South • Coleman, Oklahoma 73432-8523

800-438-4294 • www.sundownertrailer.com



The Sundowner SuperTack is the all aluminum gooseneck slant load trailer of the working equestrian's dream. The SuperTack accommodates from 2-6 horses and features a spacious front tack room with double doors, rubber floor mats, swing out saddle racks, hat shelf with clothes rod, blanket tree, bridle bars and three corner shelves. The horse area has 60/40 rear doors, collapsible rear tack, drop down feed windows with face grills, dome light per stall, side access door on the first stall with a drop down window, 20x24 window per stall on the curb side and many more options! All is backed by the Sundowner 36 month hitch to bumper and 8 year structural warranty.

# SuperTack

GOOSENECK



## STANDARD FEATURES

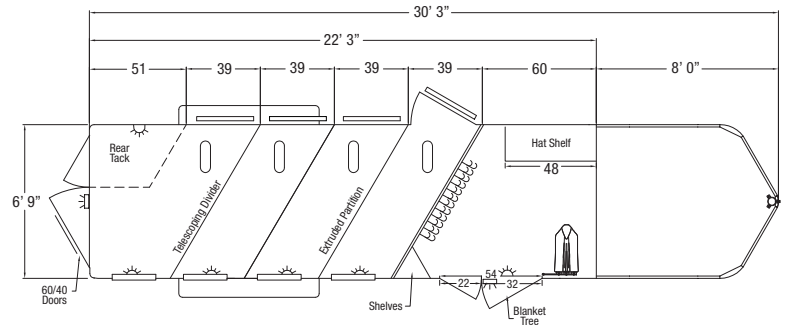
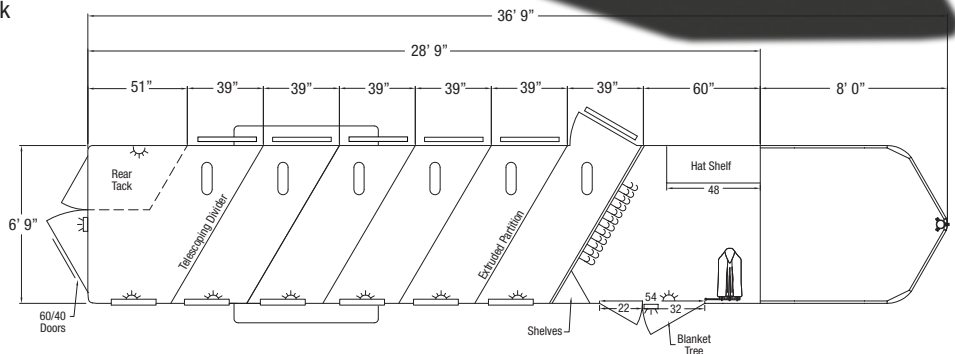
- 2 5/16" Gooseneck hitch, adjustable
- 6' 9" Wide
- 7' Tall
- 2 to 6 Horse
- Slant load
- 39" Wide stalls
- All aluminum construction
- Interlocking extruded aluminum floor
- White exterior skin
- Stainless steel nose wrap
- 60/40 Rear doors (left door no window; right door w/window)
- Rubber torsion axles
- 235/16 Tires, nitrogen filled
- Spare tire
- Aluminum wheels
- 4 Wheel electric brakes with safety breakaway
- Rear rubber bumper
- LED load lights one at rear door and 1 over front double tack doors
- LED clearance lights
- 4 LED tail lights
- Full length running boards
- Collapsible rear tack
- Drop leg jack
- Graphics

## FRONT TACK ROOM

- Locking Double Doors with combination, cam latch and locking hasp
- Rubber floor mats
- SunCoated™ breast plate with carpeted gooseneck deck
- Felt board lined and insulated slant wall
- Interior dome light
- Swing out saddle rack
- 4" Hat shelf with clothes rod
- 6 Bar blanket tree on tack door
- 4-6 Hook Bridle Bars on slant wall (24 hooks)
- 3 Corner shelves

## POPULAR OPTIONS

- Skin colors: black, silver, charcoal or champagne
- Feed bags
- Extra height
- Extra lighting
- Rear ramp



## HORSE AREA

- Floor mats
- 48" SunCoated™
- 39" Wide stalls, slant load
- Tubing head and shoulder dividers with pads
- Extruded lower partition on first stall
- Drop down feed window with face grill per stall (head side)
- 20 x 24 window per stall curb side
- Side door with drop down window in first stall
- Pop up horse vent per stall
- Dome light per stall
- 2 Inside and one outside tie ring per stall



All dimensions are approximate. Photos may show options. Due to constant product improvements, specifications, component parts, standard and optional equipment are subject to change without notice or obligation. Refer to standard and special features for specifics. See your dealer for warranty details. 2019 © Sundowner Trailers, Inc. (7.11.19)

SUNDOWNER TRAILERS, INC.

9805 OK Highway 48 South • Coleman, Oklahoma 73432-8523

800-438-4294 • www.sundownertrailer.com

